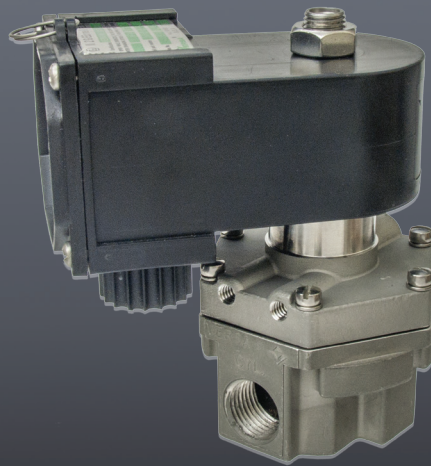




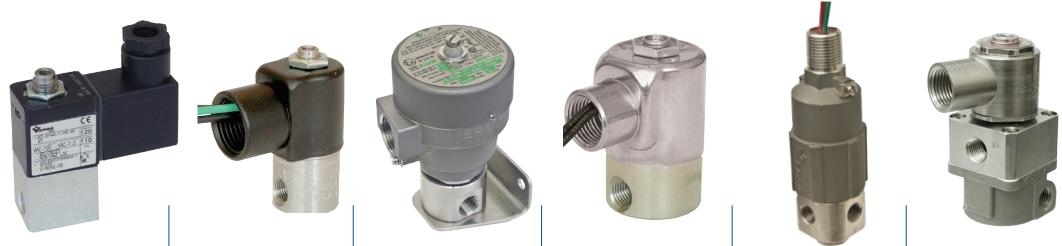
E FAMILY



QUICK INDEX

Basic Features Page 3

Valve Types — Series See Chart Below



	Page 10	Page 13	Page 16	Page 18	Page 22	Page 23
Series	EZ	E5	E4	E	E3	E* QE
Description	Compact Direct Acting	Compact Direct Acting	Compact Direct Acting	Medium Flow Direct Acting	High Flow Direct Lift	High Flow
Pressure Range	vacuum to 250 psi (17 bar)	vacuum to 500 psi (34 bar)	vacuum to 500 psi (34 bar)	vacuum to 500 psi (34 bar)	0-150 psi (10.3 bar)	5-150 psi (0.3-10.3 bar)
Flow Range	.06 to 79	.022 to 23	.022 to 23	0.026 to 0.106	0.11 to 0.16	0.06- 0.106 Inlet 3.3-8.8 Exhaust
Port Size NPT	1/8" NPT	1/8" - 1/4" NPT	1/8" - 1/4" NPT	1/8" - 1/4" NPT	1/4" NPT	1/4"-1/2" NPT Inlet 3/8"-3/4" NPT Exhaust
Nominal Power	10 AC watt 10.5 DC watt	6 - 8.5 AC watt 7-10 DC watt	0.85 - 1.8 watt	6 - 8.5 AC watt 7-10 DC watt	0.85 - 1.8 watt	0.85 - 7.2 Watt
Seals	NBR-Nitrile (Buna N) FKM (fluorocarbon) Optional		FKM (fluorocarbon)	NBR-Nitrile (Buna N)	FKM (fluorocarbon)	

Materials, General Purpose

Side Port	Aluminum	Page 10	—	—	—	—	—
	Stainless Steel	—	Page 13	—	Page 18	—	Page 23
Manifold Mount	Aluminum	Page 12	—	—	Page 20	—	—
	Stainless Steel	Consult Factory	—	—	Consult Factory	—	—

Materials, Hazardous Location

Side Port	Aluminum	—	—	—	—	—	—
	Stainless Steel	—	Page 14	Page 16	Page 18	Page 22	Page 23
Manifold Mount	Aluminum	—	—	—	Page 20	—	—
	—	—	—	—	—	—	—

Selector Page 4

Options Page 4

Solenoid options - Non Hazardous Location Page 8

Solenoid options - Hazardous Locations Page 6

Solenoid - Cross Reference Chart Page 9

The E Family

Versa's E-Series valves are 2 port, 2 position and 3 port, 2 position direct acting pneumatic and hydraulic valves consisting of two body types, side ported and manifold mounted.

E Series Side-Ported valves are individually mounted with body port sizes 1/8" NPT to 1/4" NPT.

Manifold Mounting valve is direct solenoid actuated and is mounted on a manifold which can have 1 to 10 valve stations. The manifolds are provided with the threaded ports for pipe connections, which allows the valves to be easily and swiftly installed or removed without breaking any pipe connections. The manifolds also provide common ports, such as the inlet and exhaust, making only one such connection necessary per manifold.

Design for Reliability, Flexibility and Availability

Direct Acting Solenoid Design

The E Family of solenoid valves utilize a high performance solenoid direct acting for the perfect balance of flow vs. power. Valves designed for complete pressure range including vacuum.

Electrical Connections

The E Family of solenoid valves offer the widest range of electrical hook connections, from 1/2" conduit to spade terminals and everything in between. All designed to simplify installation and serviceability. Select E Family valves are offered for hazardous location service, should application require such.

Porting Options

E Family valves are available with 1/8" or 1/4" ports for ease of installation. Select Families are available in manifolded configurations for ease of installation, space savings and trouble free maintenance.

Vent Options

The standard E Family valve is offered with a threaded vent port. This supports piped exhaust for gases and hydraulic applications. Other vent options are offered to keep contaminants out of the valve for long trouble, free service.

High Heat Epoxy Molded Coils

The E Family solenoid's are high heat rated and are all epoxy molded. A Versa standard! The epoxy molded coil yield a moisture resistance design which also dissipates heat for elevated temperature applications.

High Performance Solenoid

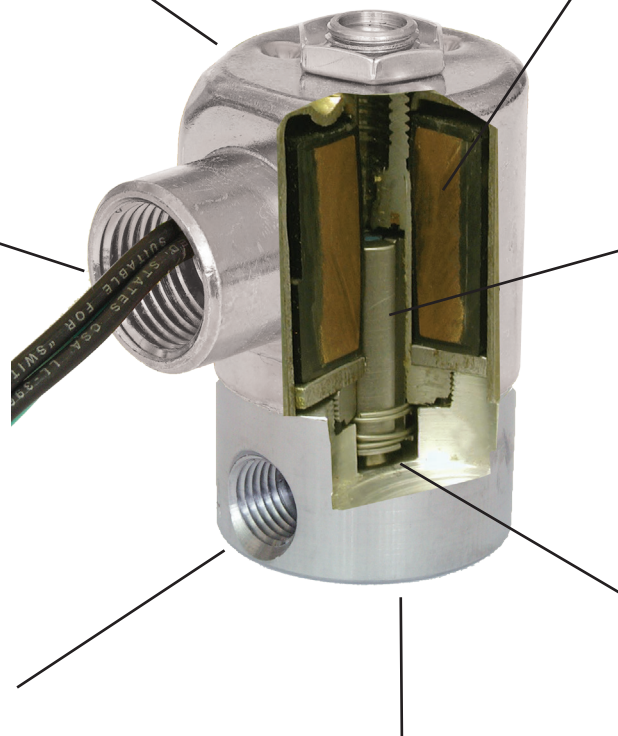
Near frictionless direct acting poppet design yields positive shifting, the lowest wattage ratings and unsurpassed reliability. Life cycle ratings to 20 million cycles.

Bubble Tight Sealing

The E Family of products utilizes an elastomer sealed poppet. This design offers a bubble tight seal. Many seal materials are available to offer the greatest flexibility in application/media solutions.

Durable Materials of Construction

E Family materials are available in stainless steel or aluminum to offer the greatest flexibility in application/media solutions.



BASIC PART NUMBERING — OPTIONS

Every letter and digit in the product number of a valve has significant meaning. The product number shown below (E5SM-3201-34-A120) indicates the following:

E5SM	3	2	0	1	3	4	H2	A120
E5SM Series Solenoid, Spring Return	Three-Way	1/8" NPT	Side Ports	NC	Bottom Orifice Size	Top	Solenoid exhaust adapter	120V60 COIL

BASIC PRODUCT NUMBER

E5SM	3	2	0	1
VALVE SERIES & ACTUATION	FUNCTION: Body Style	PORT SIZE	BODY DETAILS	FLOW
E5SM E5 Series	2 Two-Way	2 1/8"NPT	0 Side Ported	1 NC (Normally Closed)
E4SM E4 Series	3 Three-Way	3 1/4" NPT	1 Manifold Mounted	2 NO (Normally Open)
ESM E Series	7 Two-Outlet (3-Way-Diverter)			
E3SM E3 Series	8 Two-Inlet (3-Way-Selector)			
EZ EZ Series, for part number selection see page 10				
EQE EQE Series, for part number selection see page 23				
E4QE EQE Series, for part number selection see page 23				
E5QE EQE Series, for part number selection see page 23				

Options

Solenoid Options	
General Purpose (see page 4)	
-243	Grommeted housing (flying leads)
-228L	Epoxy formed coil with 1/2" conduit hub, NEMA 4
-HC	DIN connector with strain relief
-HCC	DIN connector with 1/2" conduit hub
-HCL	DIN connector with light
-HCCL	DIN connector with 1/2" lighted conduit hub.
-HT	High temperature coil Class H insulation.
-P	Plug-in - A connection on manifold mounted valves that provides a plug in electrical connection
-44	Low temperature seals
-PC	Potted Coil - Ingress protection, provides NEMA 4 rating.
-Z	Exhaust vent for manifolded valves
Hazardous Service (see page 6)	
-XX	Hazardous Location solenoid, North American
-XN	Hazardous Location, coil ATEX Approvals
-LB (-XX or -XN required)	Low Watt 1.8 coil (-LX for E4SM See page 16 For E3 see page 22)
-LA (-XX or -XN required)	Low Watt 0.85 coil (-LC for E4SM See page 16 For E3 see page 22)
-HT	High temperature coil Class H insulation.
-PC	Potted Coil - Ingress protection, provides NEMA 4 rating.
-44	Low temperature seals
-ST (-XX or -XN required)	Stainless steel coil housing.
-XISC (-HC or HCC required)	Intrinsic Safe electrical operator, CSA
-XISX6 (-HC or HCC required)	Intrinsic Safe electrical operator, ATEX
-XDBS*/-XDBT*	Coil enclosure, 316 stainless steel, internal junction box with multi agency approvals (see page 16).
-XIF*	Intrinsic Safe ATEX Coil with internal junction box
-XMA*	Explosion Proof solenoid coil with integral junction box and internal bridge rectifier (see page 6)
Miscellaneous	
-14 (General purpose only)	Dust Excluder – Dust Tight; protection from contamination entering the solenoid sleeve (exhaust)
-E14	Dust Excluder – Dust Tight; protection from contamination entering the solenoid sleeve (exhaust)
-L14	Dust Excluder – Dust Tight; protection from contamination entering the solenoid sleeve (exhaust)
-D14	Dust Excluder – Water Tight; protection from “dirt or water” entering the solenoid sleeve (exhaust)
-H	1/4" npt, solenoid vent adapter (for stainless steel use -HE)
-H2	1/8" npt, solenoid vent adapter (for stainless steel use -H2E)
-WE	Mounting bracket, wall mount, attached to coil housing
-WMA	Mounting bracket, bottom mount, stainless steel,
-M	Manual override, a non-locking manual override, unguarded for solenoid actuators
-MAE	Manual override, with manual override pin that extends past the guard plate
-M5R	Manual override, an unguarded, locking, with a knurled knob, push to actuate and turn to lock.

SOLENOID SELECTOR Hazardous Location

HAZARDOUS LOCATION SOLENOIDS

	Suffix Identification	Protection Classification	Area Classification and (Gas Grouping)	Certification- (Conformance)	Ingress Protection	Series
	-XX	Hazardous Location NEMA 7 - 9	CLASS I, DIV. 1 (C & D) CLASS I, DIV. 2 (A & B) CLASS II, DIV. 1 (E, F & G)	CSA - UL	NEMA 4, 4X (with -PC)	ESM
	-XX -LB-XX		CLASS I, DIV. 1 (C & D) CLASS I, DIV. 2 (A & B) CLASS II, DIV. 1 (E, F & G)	CSA - UL	NEMA 4, 4X (with -PC)	
	XN -LB-XN	(d) Flameproof	Ex d IIB+H2 T3 to T6 Gb II 2 G Ex d IIB+H2 T3 to T6	IECEX ATEX	IP65 IP66 (with -PC)	E5
	-XDBS* -XDBT*	(d) Flameproof (e) Increased Safety	EX II 2 G D Ex d e IIC T* Gb EX tb IIC T* °C Db Class I Div I Grp B, C & D Class I Div II Grp E, F & G EX d IIC DIP A21 T6 T4	ATEX ATEX - IECEX -INMETRO CSA	IP66 IP67 IP68 NEMA 4, 4X 6P	
*For ordering information see "Miscellaneous" column page 7						
	-XMAA -XMAE -XMAF -XMFA -XMFE -XMFF	(mb) Encapsulation (e) Increased Safety (tD) Tight Dust	Ex e mb II T5, T6 Gb Ex tD A21 T100°C, T85°C Db II 2 G Ex e mb II T5, T6 II 2D Ex tD A21 T100°C, T85°C	IECEX ATEX	IP66 IP67	ESM
	-XIFA -XIFE -XIFF	(ia) Intrinsic Safe	Ex (ia) IIC T4...T6 Gb Ex (ia) IIIC T130°C, T80°C Db II 2 G Ex ia IIC T4...T6 II 2 D Ex ia D 21 T130°C, T80°C	IECEX ATEX	IP66 IP67	
	-XISX6 -XISC	Intrinsic Safe	II 2 G Ex ia IIC T6 Class I, Groups (A, B, C & D) Class II, Groups (E, F, & G) Class III	ATEX Factory Mutual CSA	IP65	E5SM
	XPN LC-XPS -XPS LC-XPS	Factory Sealed	II 2 G Ex d IIB T4...T6 Gb Class I, Div 1, Group C and D Class II, Div 1, Group E, F and G, T6 Class I, Div 2, Group C and D Class II, Div 2, Group E, F and G	ATEX CSA	IP66 IP67 NEMA 4X & 6P	

Voltage (Power)	Electrical Characteristics	Miscellaneous																																		
All usual 50 Hz & 60 Hz AC (7.3W), DC (9.5W) 12V60, 24V60, 48V60, 120V60, 240V60 6VDC, 12VDC, 24VDC, 48VDC	Class F epoxy molded coil (155°C). continuous duty. 3 leads 24" (60 cm).	Plated steel coil housing with 1/2 NPT conduit entry.																																		
All usual 50 Hz & 60 Hz AC (6W), DC (7.2W) 12V60, 24V60, 48V60, 120V60, 240V60 6VDC, 12VDC, 24VDC, 48VDC		Plated steel coil housing with 1/2 NPT conduit entry. For stainless steel (430 type) coil housing add: (-ST)																																		
All usual 50 Hz & 60 Hz AC, DC (1.8W) 12V60, 24V60, 48V60, 120V60, 240V60 6VDC, 12VDC, 24VDC, 48VDC		Plated steel coil housing with 1/2 NPT conduit entry. For stainless steel (430 type) coil housing add: (-ST) Maximum pilot pressure 120 psi (8 bar) 1.8W nominal power.																																		
All usual 50 Hz & 60 Hz AC (6W), DC (7.2W) 12V60, 24V60, 48V60, 120V60, 240V60 6VDC, 12VDC, 24VDC, 48VDC		Plated steel coil housing with M20 x 1.5 conduit entry. Ground terminal on cover. For stainless steel (430 type) coil housing add: (-ST)																																		
All usual 50 Hz & 60 Hz AC, DC (1.8W) 12V60, 24V60, 48V60, 120V60, 240V60 6VDC, 12VDC, 24VDC, 48VDC		Plated steel coil housing with M20 x 1.5 conduit entry. Ground terminal on cover. For stainless steel (430 type) coil housing add: (-ST) Maximum pilot pressure 120 psi (8 bar) 1.8W nominal power.																																		
24VDC (D024) 120V60 (A120) 110V50 (E110) 230V50 (E230) 1.8 Watt standard, for lower watt contact factory.	Epoxy molded coils rated for continuous duty, Class H – 180°C.	<table border="1"> <thead> <tr> <th data-bbox="883 915 1146 1003" rowspan="2">Stainless steel coil housing with internal Junction Box. Internal and external ground screw.</th> <th colspan="4" data-bbox="1146 915 1476 940">Suffix Detail Ordering Code</th> </tr> <tr> <th colspan="2" data-bbox="1146 940 1305 966">M 20 Connection</th> <th colspan="2" data-bbox="1305 940 1476 966">1/2" Connection</th> </tr> <tr> <td data-bbox="883 966 1146 1003"></td> <td data-bbox="1146 966 1305 1003">No Diode</td> <td data-bbox="1305 966 1435 1003">Diode</td> <td data-bbox="1435 966 1476 1003">No Diode</td> <td data-bbox="1476 966 1484 1003">Diode</td> </tr> </thead> <tbody> <tr> <td data-bbox="883 1003 1146 1029">Standard (vent to atmosphere)</td> <td data-bbox="1146 1003 1305 1029">XDBS1</td> <td data-bbox="1305 1003 1435 1029">XDBS5</td> <td data-bbox="1435 1003 1476 1029">XDBT1</td> <td data-bbox="1476 1003 1484 1029">XDBT5</td> </tr> <tr> <td data-bbox="883 1029 1146 1054">1/8" Adapter (-H2E)</td> <td data-bbox="1146 1029 1305 1054">XDBS2</td> <td data-bbox="1305 1029 1435 1054">XDBS6</td> <td data-bbox="1435 1029 1476 1054">XDBT2</td> <td data-bbox="1476 1029 1484 1054">XDBT6</td> </tr> <tr> <td data-bbox="883 1054 1146 1079">1/4" Adapter (-HE)</td> <td data-bbox="1146 1054 1305 1079">XDBS3</td> <td data-bbox="1305 1054 1435 1079">XDBS7</td> <td data-bbox="1435 1054 1476 1079">XDBT3</td> <td data-bbox="1476 1054 1484 1079">XDBT7</td> </tr> <tr> <td data-bbox="883 1079 1146 1104">Dust Nut (-L14)</td> <td data-bbox="1146 1079 1305 1104">XDBS4</td> <td data-bbox="1305 1079 1435 1104">XDBS8</td> <td data-bbox="1435 1079 1476 1104">XDBT4</td> <td data-bbox="1476 1079 1484 1104">XDBT8</td> </tr> </tbody> </table>	Stainless steel coil housing with internal Junction Box. Internal and external ground screw.	Suffix Detail Ordering Code				M 20 Connection		1/2" Connection			No Diode	Diode	No Diode	Diode	Standard (vent to atmosphere)	XDBS1	XDBS5	XDBT1	XDBT5	1/8" Adapter (-H2E)	XDBS2	XDBS6	XDBT2	XDBT6	1/4" Adapter (-HE)	XDBS3	XDBS7	XDBT3	XDBT7	Dust Nut (-L14)	XDBS4	XDBS8	XDBT4	XDBT8
Stainless steel coil housing with internal Junction Box. Internal and external ground screw.	Suffix Detail Ordering Code																																			
	M 20 Connection		1/2" Connection																																	
	No Diode	Diode	No Diode	Diode																																
Standard (vent to atmosphere)	XDBS1	XDBS5	XDBT1	XDBT5																																
1/8" Adapter (-H2E)	XDBS2	XDBS6	XDBT2	XDBT6																																
1/4" Adapter (-HE)	XDBS3	XDBS7	XDBT3	XDBT7																																
Dust Nut (-L14)	XDBS4	XDBS8	XDBT4	XDBT8																																
24VDC (4W) (Consult factory for other voltage options)	Continuous duty coil & rectifier, including surge suppression, potted within housing.	Thick wall epoxy coil housing with integral junction box. Internal ground terminal. M20 x 1.5 conduit entry: (-XMAA), (-XMFA), Cable gland for 6-12 mm ø cable: (-XMAE), (-XMFE) 1/2 NPT conduit entry with adapter: (-XMAF), (-XMFF)																																		
24VDC (10W inrush, 2.6W holding) (Consult factory for other voltages)	Continuous duty coil & power controller potted within housing.																																			
24VDC (0.8W) (Consult factory for other voltages)	Continuous duty coil and power controller potted within housing.	Requires the use of an approved safety barrier or isolator. Thick wall epoxy coil housing and integral junction box. Internal ground terminal. M20 x 1.5 conduit entry: (-XIFA) Cable gland for 6-12 mm ø cable: (-XIFE) 1/2 NPT conduit entry with adapter: (-XIFF)																																		
24VDC system voltage prior to barrier (1.6 watt max.)	Class F epoxy molded coil (155°C). Continuous duty.	Requires the use of an approved barrier or isolator. Maximum operating system voltage before barrier 28VDC. Maximum pilot pressure 115 psi (8 bar). 3 spade terminals & DIN connector with PG9 cable gland: (-HC) 1/2 NPT conduit entry: (-HCC)																																		
1.8 watts 0.85 watt 12 or 24 DC	Class F, Continuous duty	Coil: 1/2" NPT, male hub with 72 inch wire leads, 3 wire. Not polarity dependent Epoxy molded/encapsulated (Factory Sealed), Inline off conduit hub. Not orientation sensitive, coil housing and body 316 stainless steel with FKM seal																																		
1.8 watts 0.85 watt 12 or 24 DC																																				

SOLENOID SELECTOR General Purpose

NONHAZARDOUS LOCATION SOLENOIDS

Image	Series	Suffix Detail	Certification- (Conformance)		Ingress Protection	Voltage (Power)	Electrical Characteristics	Miscellaneous
			AC	DC				
	E5SM	Standard -PC	CSA		NEMA 1, 2, 3 & 4	24V60, 120V60, 240V60 (8W) 24V50, 110V50, 220V50 (8W) 12VDC, 24VDC, 48VDC (7W)	Class F epoxy molded coil (155°C). Continuous duty.	Steel cover with 1/2 NPT conduit entry.
	ESM	Standard -PC	CSA UL		NEMA 4; IP65	24V60, 120V60, 240V60 (7.3W) 24V50, 110V50, 220V50 (7.3W) 12VDC, 24VDC, 48VDC (9.5W)		Steel cover with grommited (flying) leads. 2 leads 24" (60 cm)
	EZ E5SM	-228L			NEMA 4	24V60, 120V60, 240V60 (8.5W) 24V50, 110V50, 220V50 (8.5W) 12VDC, 24VDC, 48VDC (10.5W)		Epoxy molded coil with integral 1/2" npt conduit hub
	E5SM		CSA UL		NEMA 1, 2 & 3	24V60, 120V60, 240V60 (8W) 24V50, 110V50, 220V50 (8W) 12VDC, 24VDC, 48VDC (7W)		Steel cover with grommited (flying) leads. 2 leads 24" (60 cm)
	ESM	-243	CSA UL		NEMA 1, 2 & 3	24V60, 120V60, 240V60 (7.3W) 24V50, 110V50, 220V50 (7.3W) 12VDC, 24VDC, 48VDC (9.5W)		Steel cover with grommited (flying) leads 2 leads 24" (60 cm)
	EZ		—	—	NEMA 1, 2 & 3	24V60, 120V60, 240V60 (8.5W) 24V50, 110V50, 220V50 (8.5W) 12VDC, 24VDC, 48VDC (10.5W)		flying leads. 2 leads 24" (60 cm)
	EZ E5SM		CSA UL	—	NEMA 4	24V60, 120V60, 240V60 (8.5W) 24V50, 110V50, 220V50 (8.5W) 12VDC, 24VDC, 48VDC (10.5W)		Spade terminals (3). Connector: mini DIN socket with PG9 cable gland.
	ESM	-HC	—	—	IP 65	24V60, 120V60, 240V60 (12W) 24V50, 110V50, 220V50 (12W) 12VDC, 24VDC, 48VDC (10W)		Spade terminals (3) Connector pins according to Din 43650 & ISO 4400
	EZ E5SM		CSA UL	—	NEMA 4	24V60, 120V60, 240V60 (8.5W) 24V50, 110V50, 220V50 (8.5W) 12VDC, 24VDC, 48VDC (10.5W)		Spade terminals (3). Connector: mini DIN socket with PG9 cable gland.
	ESM	-HCL	—	—	IP 65	24V60, 120V60, 240V60 (12W) 24V50, 110V50, 220V50 (12W) 12VDC, 24VDC, 48VDC (10W)		Spade terminals (3) Connector pins according to Din 43650 & ISO 4400
	EZ E5SM		CSA UL	—	NEMA 4	24V60, 120V60, 240V60 (8.5W) 24V50, 110V50, 220V50 (8.5W) 12VDC, 24VDC, 48VDC (10.5W)		Spade terminals (3). Connector: mini DIN socket with PG9 cable gland.
	ESM	-HCC	—	—	IP 65	24V60, 120V60, 240V60 (12W) 24V50, 110V50, 220V50 (12W) 12VDC, 24VDC, 48VDC (10W)		Spade terminals (3) Connector pins according to Din 43650 & ISO 4400
	EZ E5SM		CSA UL	—	NEMA 4	24V60, 120V60, 240V60 (8.5W) 24V50, 110V50, 220V50 (8.5W) 12VDC, 24VDC, 48VDC (10.5W)		Spade terminals (3). Connector: mini DIN socket with PG9 cable gland.
	ESM	-HCCL	—	—	IP65	24V60, 120V60, 240V60 (12W) 24V50, 110V50, 220V50 (12W) 12VDC, 24VDC, 48VDC (10W)		Spade terminals (3) Connector pins according to Din 43650 & ISO 4400
	EZ E5SM		CSA UL	—	NEMA 4	24V60, 120V60, 240V60 (8.5W) 24V50, 110V50, 220V50 (8.5W) 12VDC, 24VDC, 48VDC (10.5W)		Spade terminals (3). Connector: mini DIN socket with PG9 cable gland.
	ESM		—	—	IP65	24V60, 120V60, 240V60 (12W) 24V50, 110V50, 220V50 (12W) 12VDC, 24VDC, 48VDC (10W)	Spade terminals (3) Connector pins according to Din 43650 & ISO 4400	
	ESM	-P	—	—	NEMA 4; IP65	24V60, 120V60, 240V60 (12W) 24V50, 110V50, 220V50 (12W) 12VDC, 24VDC, 48VDC (10W)	Steel cover with electrical plug-in. A Solenoid which can be removed from subplate or manifold, without disturbing the wiring	

Combination Suffix Details Cross Reference Chart (E, E4 & E5)

Suffix Reference	
Suffix	Description
-XX	North American solenoid
-XN	ATEX solenoid
-XDB	World Solenoid
-HT	Class H coil
-ST	Stainless solenoid housing
-PC	Potted coil
-LB	1.8 watt solenoid
-LA	0.85 watt solenoid
-VJBT	Add on Junction Box
-D14	Solenoid vent, water proof nut
-PS	Potted coil, male conduit
-CD	72" wire leads
-LX	1.8 watt solenoid (XDB_)
-LV	0.85 watt solenoid (XDB_)
-H2E	1/8" npt solenoid vent
-HE	1/4" npt solenoid vent
-L14	solenoid vent dust nut
-303D	Integral diode

North American (-XX) (Cont.)	
Combination Suffix	Included Suffix
-XXH4	-XX, -D14, -HT, -PC, -ST
-XXJ	-XX, -LB, -PC, -ST
-XXJ4	-XX, -D14, -LB, -PC, -ST
-XXK	-XX, -HT, -LB, -PC, -ST
-XXK4	-XX, -D14, -HT, -LB, -PC, -ST
-XXL	-XX, -PC
-XXL4	-XX, -D14, -PC
-XXM	-XX, -HT, -PC
-XXM4	-XX, -D14, -HT, -PC
-XXN	-XX, -LB, -PC
-XXN4	-XX, -D14, -LB, -PC
-XXP	-XX, -HT, -LB, -PC
-XXP4	-XX, -D14, -HT, -LB, -PC
-XXQ	-XX, -HT, -LB
-XXQ4	-XX, -D14, -HT, -LB
-XXR	-XX, -LB
-XXR4	-XX, -D14, -LB
-XXS	-XX, -LA, -ST
-XXS4	-XX, -D14, -LA, -ST
-XXU	-XX, -HT, -LB, -ST
-XXU4	-XX, -D14, -HT, -LB, -ST
-XXV	-XX, -LA
-XXV4	-XX, -D14, -LA
-XXW	-XX, -CD, -HT, -H2, -PC, -ST
-XXW4	-XX, -D14, -CD, -HT, -PC, -ST

ATEX (XN) (Cont.)	
Combination Suffix	Included Suffix
-XNL	-XN, -PC
-XNM	-XN, -HT, -PC
-XNN	-XN, -LB, -PC
-XNP	-XN, -HT, -LB, -PC
-XNQ	-XN, -HT, -LB
-XNR	-XN, -LB
-XNS	-XN, -LA, -ST
-XNU	-XN, -HT, -LB, -ST
-XNV	-XN, -LA
-XNX	-XN, -LB, -PS
-XNWS	-XN, -VJBT, -LB, -PS
-XXK4	-XX, -D14, -HT, -LB, -PC, -ST

North American (-XX)	
Combination Suffix	Included Suffix
-XXA	-XX, -HT
-XXA4	-XX, -D14, -HT
-XXB	-XX, -PS
-XXB4	-XX, -D14, -PS
-XXC	-XX, -HT, -PS
-XXC4	-XX, -D14, -HT, -PS
-XXD	-XX, -ST
-XXD4	-XX, -D14, -ST
-XXE	-XX, -PC, -ST
-XXE4	-XX, -D14, -PC, -ST
-XXF	-XX, -HT, -ST
-XXF4	-XX, -D14, -HT, -ST
-XXG	-XX, -LB, -ST
-XXG4	-XX, -D14, -LB, -ST
-XXH	-XX, -HT, -PC, -ST

ATEX (XN)	
Combination Suffix	Included Suffix
-XNA	-XN, -HT
-XND	-XN, -ST
-XNE	-XN, -PC, -ST
-XNF	-XN, -HT, -ST
-XNG	-XN, -LB, -ST
-XNH	-XN, -HT, -PC, -ST
-XNJ	-XN, -LB, -PC, -ST
-XNK	-XN, -HT, -LB, -PC, -ST

World Solenoid (XDB)	
Combination Suffix	Included Suffix
-XDBS1	-XDBS, -HT, -LX
-XDBS2	-XDBS, -HT, -LX, -H2E
-XDBS3	-XDBS, -HT, -LX, -HE
-XDBS4	-XDBS, -HT, -LX, -L14
-XDBS5	-XDBS, -HT, -LX, -303D
-XDBS6	-XDBS, -HT, -LX, -H2E, -303D
-XDBS7	-XDBS, -HT, -LX, -HE, -303D
-XDBS8	-XDBS, -HT, -LX, -L14, -303D
-XDBS9	-XDBS, -HT, -LX, -D14
-XDBS10	-XDBS, -HT, -LX, -D14, -303D
-XDBT1	-XDBT, -HT, -LX
-XDBT2	-XDBT, -HT, -LX, -H2E
-XDBT3	-XDBT, -HT, -LX, -HE
-XDBT4	-XDBT, -HT, -LX, -L14
-XDBT5	-XDBT, -HT, -LX, -303D
-XDBT6	-XDBT, -HT, -LX, -H2E, -303D
-XDBT7	-XDBT, -HT, -LX, -HE, -303D
-XDBT8	-XDBT, -HT, -LX, -L14, -303D
-XDBT9	-XDBT, -HT, -LX, -D14
-XDBT10	-XDBT, -HT, -LX, -D14, -303D

Recommended Hazardous Location Solenoid Option Packages

(For complete specifications please see above and page 6-8)

Series	Enclosure/Wire	Certification/Power			
		North American - CSA		ATEX - IECEx - INMETRO	
		Standard Power	Low Watt*	Standard Power	Low Watt*
E/E5	Steel, Electroless Nickel Plated, 24 Inch Leads	-XXL4	-XXN4	-XNL4	-XNN4
E5	Stainless Steel, High Performance 430 type, 24" wire leads	-XXE4	-XXJ4	-XNE4	-XNJ4
E4	Stainless Steel, 316L type, Junction Box with Terminal Strip	n/a	-XDBT9**	n/a	-XDBS9

*1.8 watt solenoid. Also available is 0.85 watt, see cross reference chart above, 1.8 & 0.85 not available on E. For 0.50 watt, consult factory.

**All the -XDBT type solenoids are "World Solenoids." Certified for North America, ATEX, IECEx and INMETRO and more

SERIES EZ

Side Ported Types

Series EZ valves are direct solenoid actuated valves and, physically, are the smallest of the Series E type valves. Ports are 1/8" NPT in the valve body and are individually mounted. See below for technical data.

Series EZ Bantam Multiple Manifold valves are direct solenoid actuated and have 2 to 10 valve cavities within a single body. Each valve within the manifold must be the same and perform the same function. See page 12 for part number example.

Functional Types Available	Ports Provided
2-way, NC or NO.....	Common inlet, individual outlets
3-way, NC.....	Common inlet, individual outlets, exhaust to atmosphere. Common exhaust is available.
3-way, NO.....	Common inlet & exhaust, individual outlets
Multipurpose.....	Individual "NC," "COM," & "NO" ports

Function	2-Way NC, 2-way NO, 3-way NC, 3-Way NO, Directional & Multi-Purpose
Media	Air
Pressure:	Vacuum - 500
Flow:	to 0.21 Cv
Temperature:	0°F (-18°C) to 180°F (82°C)
Ports, Inlet & Outlet:	1/8" NPT
Exhaust/vent:	Vent to atmosphere, #10-32 thread (NPT port or dust protectors available)
Voltages:	AC or DC (see selector table)
Coil rating:	Class F, continuous duty
Power:	8.5 - 10 .5 Watts
Connections:	DIN standard (-HC), Flying Leads (-243) or 1/2" NPT conduit Hub (-228L) optional
Ingress protection:	IP65 (-HC), NEMA 1 - 3 (-243), NEMA 4 (-228L)
Materials of construction:	
Seals:	FKM (fluorocarbon)
Body:	Aluminum
Manifold:	Aluminum
Coil:	Epoxy molded, Class F, continuous duty
Mounting:	(2) threaded holes

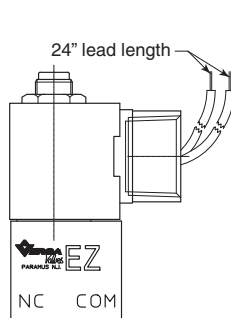


Shown with
-HC, -H2

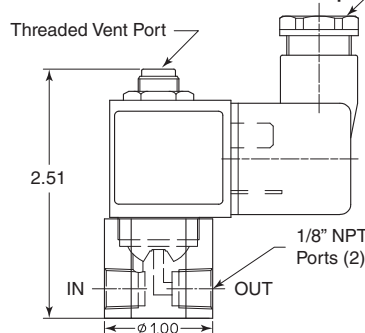


Shown with
-243

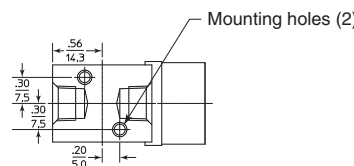
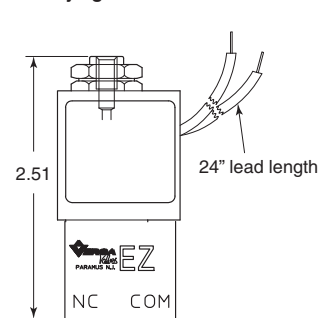
1/2" NPT Conduit Hub



DIN with PG-9 Cord Grip

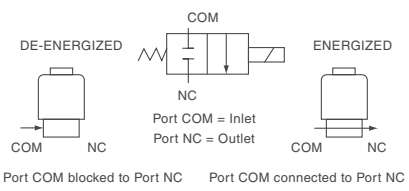
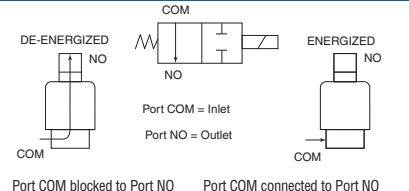
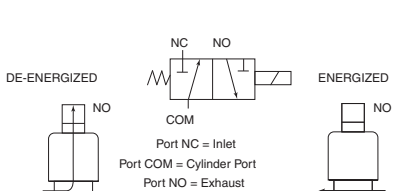
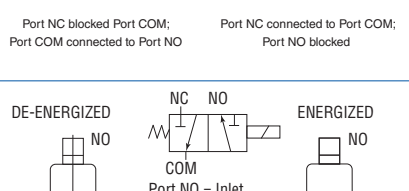
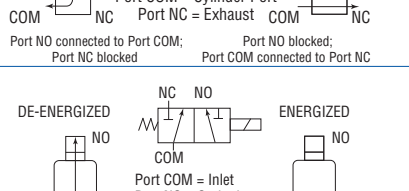
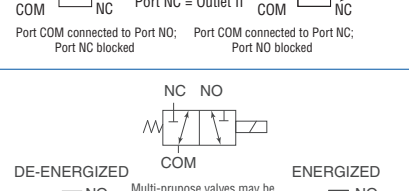
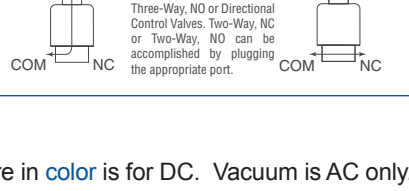


Flying Leads



Orifice & Cv Data			
Orifice	Cv	Orifice	Cv
1/32"	0.022	1/8"	0.26
3/64"	0.06	5/32"	0.45
1/16"	0.106	3/16"	0.56
3/32"	0.21	1/4"	0.79

(STANDARD DIN STYLE COIL & CONNECTOR)

SIDE PORTED VALVES					
Type	Maximum Operating Pressure Differential ¹ psi (bar)	Product Number with Micromini DIN Style Connector (8 mm gap). For other housing options see page 8.	Minimum Orifice between Ports		Piping Arrangement and Flow Pattern
			"NC" - "COM"	"COM" - "NO"	
TWO-WAY 2/2 NORMALLY CLOSED Air, Oil or Water	500 (34) 400 (27) 200 (14) 150-100 (10-6.8) 65-45 (4.4-3.1)	EZ-2220-0-HC-(*) EZ-2230-0-HC-(*) EZ-2240-0-HC-(*) EZ-2260-0-HC-(*) EZ-2280-0-HC-(*)	1/32" (0.8 mm) 3/64" (1.2 mm) 1/16" (1.6 mm) 3/32" (2.4 mm) 1/8" (3.2 mm)		 <p>DE-ENERGIZED COM ENERGIZED COM NC Port COM = Inlet Port NC = Outlet COM NC Port COM blocked to Port NC Port COM connected to Port NC</p>
TWO-WAY 2/2 NORMALLY OPEN Air, Oil or Water	400 (27) 200 (14) 125 (8.6) 40 (2.7)	EZ-2102-H2-HC-(*) EZ-2103-H2-HC-(*) EZ-2104-H2-HC-(*) EZ-2106-H2-HC-(*)		1/32" (0.8 mm) 3/64" (1.2 mm) 1/16" (1.6 mm) 3/32" (2.4 mm)	 <p>DE-ENERGIZED COM ENERGIZED COM NO Port COM = Inlet Port NO = Outlet COM NO Port COM blocked to Port NO Port COM connected to Port NO</p>
THREE-WAY 3/2 NORMALLY CLOSED (EXHAUST TO ATMOSPHERE) Air Only	200 (14) 150 (10) 100 (6.9) 50 (3.4) 30 (2.1)	EZ-3122-1-HC-(*) EZ-3133-1-HC-(*) EZ-3144-1-HC-(*) EZ-3166-1-HC-(*) EZ-3186-1-HC-(*)	1/32" (0.8 mm) 3/64" (1.2 mm) 1/16" (1.6 mm) 3/32" (2.4 mm) 1/8" (3.2 mm)	1/32" (0.8 mm) 3/64" (1.2 mm) 1/16" (1.6 mm) 3/32" (2.4 mm) 3/32" (2.4 mm)	 <p>DE-ENERGIZED COM ENERGIZED COM NO Port NC = Inlet Port COM = Cylinder Port Port NO = Exhaust COM NO Port NC blocked Port COM; Port NC connected to Port COM; Port COM connected to Port NO Port NO blocked</p>
THREE-WAY 3/2 NORMALLY CLOSED (PIPED EXHAUST) Air, Oil or Water	200 (14) 150 (10) 100 (6.9) 50 (3.4) 30 (2.1)	EZ-3122-H2-HC-(*) EZ-3133-H2-HC-(*) EZ-3144-H2-HC-(*) EZ-3166-H2-HC-(*) EZ-3186-H2-HC-(*)	1/32" (0.8 mm) 3/64" (1.2 mm) 1/16" (1.6 mm) 3/32" (2.4 mm) 1/8" (3.2 mm)	1/32" (0.8 mm) 3/64" (1.2 mm) 1/16" (1.6 mm) 3/32" (2.4 mm) 3/32" (2.4 mm)	 <p>DE-ENERGIZED COM ENERGIZED COM NO Port NO = Inlet Port COM = Cylinder Port Port NC = Exhaust COM NO Port NO connected to Port COM; Port NO blocked; Port NC blocked Port COM connected to Port NC</p>
THREE-WAY 3/2 NORMALLY OPEN Air, Oil or Water	150 (10) 125 (8.6) 100 (6.9) 50 (3.4)	EZ-3222-H2-(*) EZ-3233-H2-(*) EZ-3244-H2-(*) EZ-3266-H2-(*)	1/32" (0.8 mm) 3/64" (1.2 mm) 1/16" (1.6 mm) 3/32" (2.4 mm)	1/32" (0.8 mm) 3/64" (1.2 mm) 1/16" (1.6 mm) 3/32" (2.4 mm)	 <p>DE-ENERGIZED COM ENERGIZED COM NO Port NO = Inlet Port COM = Cylinder Port Port NC = Exhaust COM NO Port NO connected to Port COM; Port NO blocked; Port NC blocked Port COM connected to Port NC</p>
DIRECTIONAL CONTROL 3/2 Air, Oil or Water	300-200 (20-14) 200-150 (14-10) 100-75 (6.9-5.2) 75-40 (5.2-2.7)	EZ-7222-H2-HC-(*) EZ-7233-H2-HC-(*) EZ-7244-H2-HC-(*) EZ-7266-H2-HC-(*)	1/32" (0.8 mm) 3/64" (1.2 mm) 1/16" (1.6 mm) 3/32" (2.4 mm)	1/32" (0.8 mm) 3/64" (1.2 mm) 1/16" (1.6 mm) 3/32" (2.4 mm)	 <p>DE-ENERGIZED COM ENERGIZED COM NO Port COM = Inlet Port NO = Outlet I Port NC = Outlet II COM NO Port COM connected to Port NO; Port COM connected to Port NC; Port NC blocked Port NO blocked</p>
MULTI-PURPOSE 3/2 Air, Oil or Water	125 (8.6) 100 (6.9) 65-50 (4.4-3.4) 25 (1.7)	EZ-8222-H2-HC-(*) EZ-8233-H2-HC-(*) EZ-8244-H2-HC-(*) EZ-8266-H2-HC-(*)	1/32" (0.8 mm) 3/64" (1.2 mm) 1/16" (1.6 mm) 3/32" (2.4 mm)	1/32" (0.8 mm) 3/64" (1.2 mm) 1/16" (1.6 mm) 3/32" (2.4 mm)	 <p>DE-ENERGIZED COM ENERGIZED COM NO Multi-purpose valves may be used as Three-Way, NO, NC or Three-Way, NO or Directional Control Valves. Two-Way, NC or Two-Way, NO can be accomplished by plugging the appropriate port. COM NO</p>

NOTES:

1. Pressures are for both AC or DC coil unless two pressures are shown. In that case, the pressure in color is for DC. Vacuum is AC only.

*Specify Voltage Code # from page 5.

SERIES EZ

Manifold-Mounting

MULTIPLE MANIFOLD TYPE VALVES (2-10 VALVES)					
Type	Maximum Operating Pressure Differential ¹ psi (bar)	Product Number with Micromini DIN Style Connector (8 mm gap). For Other Options See Page 8.	Minimum Orifice Between Ports		Piping Arrangement
			"NC"- "COM"	"COM"- "NO"	
TWO-WAY, 2/2 Normally Closed with Common Inlet Air, Oil or Water	150 (10) 100 (6.8) 60 (4.1) 30 (2.1)	EZM-2130-**-0-HC-(* EZM-2140-**-0-HC-(* EZM-2160-**-0-HC-(* EZM-2180-**-0-HC-(*	3/64" (1.2 mm) 1/16" (1.6 mm) 3/32" (2.4 mm) 1/8" (3.2 mm)		"NC" port = Common Inlet for a) valves "COM" port = Individual Outlet for each valve
TWO-WAY, 2/2 Normally Open with Common Inlet Air, Oil or Water	200 (14) 125 (8.6) 40 (2.7)	EZM-2203-**-Z-HC-(* EZM-2204-**-Z-HC-(* EZM-2206-**-Z-HC-(*		3/64" (1.2 mm) 1/16" (1.6 mm) 3/32" (2.4 mm)	"NO" port = Common Inlet for all valves "COM" port = Individual outlet for each valve
THREE-WAY, 3/2 Normally Closed (Exhaust to atmosphere) with Common Inlet Air Only	150 (10) 100 (6.8) 50 (3.4) 30 (2.1)	EZM-3133-**-1-HC-(* EZM-3144-**-1-HC-(* EZM-3166-**-1-HC-(* EZM_3186-**-1-HC-(*	3/64" (1.2 mm) 1/16" (1.6 mm) 3/32" (2.4 mm) 3/32" (2.4 mm)	3/64" (1.2 mm) 1/16" (1.6 mm) 3/32" (2.4 mm) 1/8" (3.2 mm)	"NC" port = Common Inlet for all valves "COM" port Individual outlet for each valve "NO" port Individual exhaust for each valve
THREE-WAY, 3/2 Normally Closed (Piped exhaust) with Common Inlet & Common Exhaust Air, Oil or Water	150 (10) 100 (6.8) 50 (3.4) 30 (2.1)	EZM-3133-**-Z-HC-(* EZM-3144-**-Z-HC-(* EZM-3166-**-Z-HC-(* EZM-3186-**-Z-HC-(*	3/64" (1.2 mm) 1/16" (1.6 mm) 3/32" (2.4 mm) 1/8" (3.2 mm)	3/64" (1.2 mm) 11/16" (1.6 mm) 3/32" (2.4 mm) 3/32" (2.4 mm)	"NC" port = Common Inlet for a) valves "COM" port Individual Outlet for each valve "NO" port "Common Exhaust for all valves
THREE-WAY, 3/2 Normally Open with Common Inlet & Common Exhaust Air, Oil or Water	125 (8.6) 100 (6.8) 50 (3.4)	EZM-3233-**-Z-HC-(* EZM-3244-**-Z-HC-(* EZM-3266-**-Z-HC-(*	3/64" (1.2 mm) 1/16" (1.6 mm) 3/32" (2.4 mm)	3/64" (1.2 mm) 1/16" (1.6 mm) 3/32" (2.4 mm)	"NO" port = Common Inlet for all valves COM" port Individual Outlet for each valve "NO" port Common Exhaust for all valves
MULTIPURPOSE, 3/2 with Common "NC" Port (See Also Note @) Air, Oil or Water	100 (6.8) 65-50 (4.4-3.4) 25 (1.7)	EZM-8233-**-†-HC-(* EZM-8244-**-†-HC-(* EZM-8266-**-†-HC-(*	3/64" (1.2 mm) 1/16" (1.6 mm) 3/32" (2.4 mm)	3/64" (1.2 mm) 1/16" (1.6 mm) 3/32" (2.4 mm)	The Function Table below lists all the possible valve functions which can be obtained by just changing the connections

NOTES:

1. Pressures are for both AC or DC coil unless two pressures are shown. In that case, the pressure shown in **color** is for DC.

*Specify Voltage Code # from page 5.

**Specify number of valve stations required, 2 thru 10.

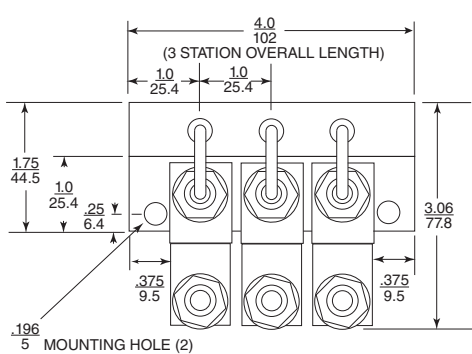
† "NO" Port variations available

Function Table						
Port	2-Way NO	2-Way NC	3-Way NO	3-Way NC	Selector	Diverter
NC	Plug	Inlet	Exhaust	Inlet	Inlet	Outlet
NO	Inlet	Plug	Inlet	Exhaust	Inlet	Outlet
COM	Outlet	Outlet	Outlet	Outlet	Outlet	Inlet

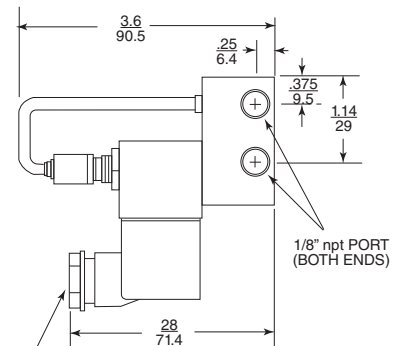
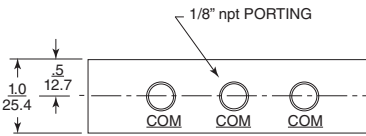
- 1— "NO" valve ports are un-piped and exchange to atmosphere.
- H2— Each "NO" valve port is provided with a 1/8" NPT adapter for piping each "NO" port individually.
- Z— "NO" ports of all valves are connected to a common "NO" port in the manifold.



Orifice & Cv Data			
Orifice	Cv	Orifice	Cv
1/32"	0.022	1/8"	0.26
3/64"	0.06	5/32"	0.45
1/16"	0.106	3/16"	0.56
3/32"	0.21	1/4"	0.79



DIMENSIONS: (SHOWN IN INCH / MM)



Typical Multiple Manifold

(Shows common "NO" port arrangement and micromini DIN style connector)

PG-9 CORD GRIP

SERIES E5 compact



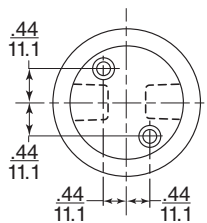
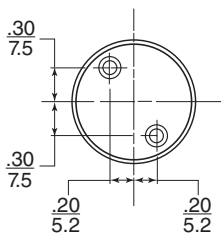
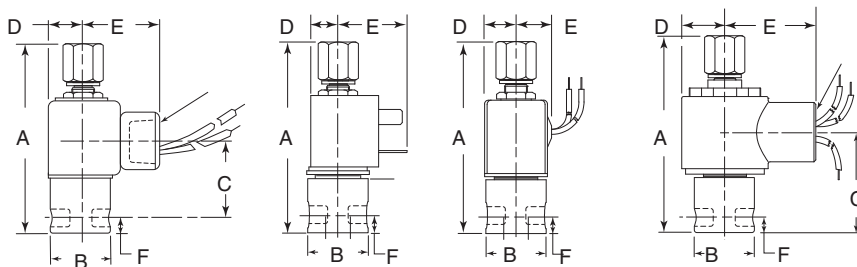
Side Ported Types

Series E5 compact valves are direct solenoid actuated Valves. They are physically smaller than the Series E full-size valves described on pages 18 through 21, but offer most of the same orifice sizes and operating pressure ranges as the larger valves. Ports are 1/8 NPT in the valve body and the valves are individually mounted.

Function	2-Way NC, 2-way NO, 3-way NC, 3-Way NO, & Directional.
Media	Air / Gas / Hydraulic
Pressure:	to 500 psi (see table page 14)
Flow:	to 0.26 Cv
Temperature:	0°F to 180°F (-18°C to 82°C)
Ports, Inlet & Outlet:	1/8" or 1/4" NPT
Exhaust/vent:	Vent to atmosphere, #10-32 thread (NPT port or dust protectors available)
Voltages:	AC or DC
Coil rating:	Class F, continuous duty
Power:	8.5 - 10.5 watt
Connections:	1/2" NPT
Ingress protection:	NEMA 1, 2,3 & 4/4X,
Ordinary Location	NEMA 1, 2,3 & 4/4X,
Hazardous Location	NEMA 7, 9, 4/4X, FM & ATEX
Materials of construction:	
Body:	430 Stainless (316 Stainless Steel optional)
Seals	NBR (Nitrile)
Coil:	Epoxy molded
Mounting:	(2) threaded holes (optional bracket -WMA)

ORDINARY LOCATION COILS (NEMA 1, 2, 3)

1/8" NPT Ports 1/4" NPT Ports



1/8" Body Mounting Hole Dimension 1/4" Body

HAZARDOUS LOCATION COILS (NEMA 7 & 9)



1/8" NPT Ports



1/4" NPT Ports

		A		B		C		D		E		F	
		IN	mm	IN	mm	IN	mm	IN	mm	IN	mm	IN	mm
1/8" Ports	-HC	3	76.2	1	25.4	1.6	40.6	2.9	73.7	0.67	17	0.3	7.6
	-243	3	76.2	1	25.4	—	—	0.52	13.2	0.69	17.5	0.3	7.6
	STD	3	76.2	1	25.4	1.26	32	0.52	13.2	1.34	34	0.3	7.6
	-XX -XN	3.28	83	1	25.4	1.35	34.3	0.72	18.2	1.5	38.5	0.3	7.6
1/4" Ports	-HC	3.07	78	1.34	.34	1.4	35.6	.75	19	0.67	17	0.34	8.6
	-243	3.2	81.2	1.34	.34	—	—	0.52	13.2	0.69	17.5	0.34	8.6
	STD	3.2	81.2	1.34	.34	1.09	27.7	0.52	13.2	1.34	34.1	0.34	8.6
	XX -XN	3.3	83	1.34	.34	1.48	37.6	0.72	18.3	1.5	38.5	0.34	8.6

SERIES E5 COMPACT

Side Ported Types

Type	Maximum Operating Pressure Differential psi (bar)††		ORDINARY LOCATIONS (For Coil Voltages See Page 4)		Min. Orifice between Ports		Piping Arrangement and Flow Pattern
			Product Number				
	AC	DC	1/8" BODY PORTS	1/4" BODY PORTS	"NC"-"COM"	"COM"-"NO"	
TWO-WAY 2/2 NORMALLY CLOSED Air, Oil or Water	500 (34) 400 (27) 200 (14) 100 (6.9) 75 (5.2)	250 (17) 150 (10) 100 (6.9) 45 (3.1) 25 (1.7)	E5SM-2201-20-(*) E5SM-2201-30-(*) E5SM-2201-40-(*) E5SM-2201-60-(*) E5SM-2201-80-(*)	E5SM-2301-20-(*) E5SM-2301-30-(*) E5SM-2301-40-(*) E5SM-2301-60-(*) E5SM-2301-80-(*)	1/32" (0.8 mm) 3/64" (1.2 mm) 1/16" (1.6 mm) 3/32" (2.4 mm) 1/8" (3.2 mm)		<p>DE-ENERGIZED ENERGIZED</p> <p>Port COM = Inlet Port NC = Outlet</p> <p>Port COM blocked to Port NC Port COM connected to Port NC</p>
TWO-WAY 2/2 NORMALLY OPEN Air, Oil or Water	400 (27) 200 (14) 125 (8.6)	200 (14) 100 (6.9) 60 (4.1)	E5SM-2202-03-H2-(*) E5SM-2202-04-H2-(*) E5SM-2202-06-H2-(*)	E5SM-2302-03-H2-(*) E5SM-2302-04-H2-(*) E5SM-2202-06-H2-(*)		1/32" (0.8 mm) 3/64" (1.2 mm) 1/16" (1.6 mm)	<p>DE-ENERGIZED ENERGIZED</p> <p>Port COM = Inlet Port NO = Outlet</p> <p>Port COM blocked to Port NO Port COM connected to Port NO</p>
THREE-WAY 3/2 NORMALLY CLOSED (EXHAUST TO ATMOSPHERE) Air Only	200 (14) 150 (10) 100 (6.9) 60 (4.1) 30 (2.1)	200 (14) 150 (10) 100 (6.9) 60 (4.1) 30 (2.1)	E5SM-3201-22-(*) E5SM-3201-33-(*) E5SM-3201-34-(*) E5SM-3201-44-(*) E5SM-3201-64-(*) E5SM-3201-84-(*)	E5SM-3301-22-(*) E5SM-3301-33-(*) E5SM-3301-34-(*) E5SM-3301-44-(*) E5SM-3301-64-(*) E5SM-3301-84-(*)	1/32" (0.8 mm) 3/64" (1.2 mm) 3/64" (1.2 mm) 1/16" (1.6 mm) 3/32" (2.4 mm) 1/8" (3.2 mm)	1/32" (0.8 mm) 3/64" (1.2 mm) 1/16" (1.6 mm) 1/16" (1.6 mm) 1/16" (1.6 mm) 1/16" (1.6 mm)	<p>DE-ENERGIZED ENERGIZED</p> <p>Port NC = Inlet Port NO = Exhaust</p> <p>Port NC blocked Port COM; Port COM connected to Port NO Port NC connected to Port COM; Port NO blocked</p>
THREE-WAY 3/2 NORMALLY CLOSED (PIPED EX-HAUST) Air, Oil or Water	200 (14) 150 (10) 100 (6.9) 60 (4.1) 30 (2.1)	200 (14) 150 (10) 100 (6.9) 60 (4.1) 30 (2.1)	E5SM-3201-22-H2-(*) E5SM-3201-33-H2-(*) E5SM-3201-34-H2-(*) E5SM-3201-44-H2-(*) E5SM-3201-64-H2-(*) E5SM-3201-84-H2-(*)	E5SM-3301-22-H2-(*) E5SM-3301-33-H2-(*) E5SM-3301-34-H2-(*) E5SM-3301-44-H2-(*) E5SM-3301-64-H2-(*) E5SM-3301-84-H2-(*)	1/32" (0.8 mm) 3/64" (1.2 mm) 3/64" (1.2 mm) 1/16" (1.6 mm) 3/32" (2.4 mm) 1/8" (3.2 mm)	1/32" (0.8 mm) 3/64" (1.2 mm) 1/16" (1.6 mm) 1/16" (1.6 mm) 1/16" (1.6 mm)	<p>DE-ENERGIZED ENERGIZED</p> <p>Port NO = Inlet Port COM = Cylinder Port Port NC = Exhaust</p> <p>Port NO connected to Port COM; Port NC blocked Port NO blocked; Port COM connected to Port NC</p>
THREE-WAY 3/2 DIRECTIONAL CONTROL Air, Oil or Water	300 (21) 200 (14) 100 (6.9) 75 (5.2)	200 (14) 100 (6.9) 50 (3.4) 25 (1.7)	E5SM-7202-22-H2-(*) E5SM-7202-33-H2-(*) E5SM-7202-44-H2-(*) E5SM-7202-64-H2-(*)	E5SM-7302-22-H2-(*) E5SM-7302-33-H2-(*) E5SM-7302-44-H2-(*) E5SM-7302-64-H2-(*)	1/32" (0.8 mm) 3/64" (1.2 mm) 1/16" (1.6 mm) 3/32" (2.4 mm)	1/32" (0.8 mm) 3/64" (1.2 mm) 1/16" (1.6 mm) 1/16" (1.6 mm)	<p>DE-ENERGIZED ENERGIZED</p> <p>Port COM = Inlet Port NO = Outlet I Port NC = Outlet II</p> <p>Port COM connected to Port NO; Port NC blocked Port COM connected to Port NC; Port NO blocked</p>
THREE-WAY 3/2 MULTI-PURPOSE Air, Oil or Water	125 (8.6) 100 (6.9) 65 (4.5)	125 (8.6) 100 (6.9) 50 (3.4)	E5SM-8202-22-H2-(*) E5SM-8202-33-H2-(*) E5SM-8202-44-H2-(*)	E5SM-8302-22-H2-(*) E5SM-8302-33-H2-(*) E5SM-8302-44-H2-(*)	1/32" (0.8 mm) 3/64" (1.2 mm) 1/16" (1.6 mm)	1/32" (0.8 mm) 3/64" (1.2 mm) 1/16" (1.6 mm)	<p>DE-ENERGIZED ENERGIZED</p> <p>Multi-purpose valves may be used as Three-Way, NC or Three-Way, NO or Directional Control Valves. Two-Way, NC or Two-Way, NO can be accomplished by plugging the appropriate port.</p>

NOTES:

*Specify Voltage Code # from page 5.

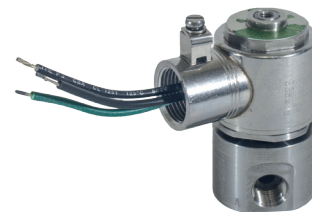
†For air only.

†† MPa = $\frac{\text{bar}}{10}$

Standard Wattage	Maximum Operating Pressure Differential psi (bar)††	HAZARDOUS LOCATION VALVES				
		Product Number				
		1/8" BODY PORTS		1/4" BODY PORTS		
		AC or DC	1.8 Watt	0.85 Watt	1.8 Watt	0.85 Watt
E5SM-2201-20-XX-(*) E5SM-2201-30-XX-(*) E5SM-2201-40-XX-(*) E5SM-2201-60-XX-(*) E5SM-2201-80-XX-(*)	120 (8.3) 80 (5.5) 50 (3.4)	E5SM-2201-20-LB-XX-(*) E5SM-2201-30-LB-XX-(*) E5SM-2201-40-LB-XX-(*)	E5SM-2201-20-LA-XX-(*)	E5SM-2301-20-LB-XX-(*) E5SM-2301-30-LB-XX-(*) E5SM-2301-40-LB-XX-(*)	E5SM-2301-20-LA-XX-(*)	
E5SM-2202-02-H2-XX-(*) E5SM-2202-03-H2-XX-(*) E5SM-2202-04-H2-XX-(*)	120 (8.3) 80 (5.5) 50 (3.4)	E5SM-2202-02-H2-LB-XX-(*) E5SM-2202-03-H2-LB-XX-(*) E5SM-2202-04-H2-LB-XX-(*)	E5SM-2202-02-H2-LA-XX-(*)	E5SM-2302-02-H2-LB-XX-(*) E5SM-2302-03-H2-LB-XX-(*) E5SM-2302-04-H2-LB-XX-(*)	E5SM-2302-02-H2-LA-XX-(*)	
E5SM-3201-22-XX-(*) E5SM-3201-33-XX-(*) E5SM-3201-34-XX-(*) E5SM-3201-44-XX-(*) E5SM-3201-64-XX-(*) E5SM-3201-84-XX-(*)	120 (8.3) 60 (4.1) 30 (2.1)	E5SM-3201-23-LB-XX-(*) E5SM-3201-33-LB-XX-(*) E5SM-3201-44-LB-XX-(*)	E5SM-3201-22-LA-XX-(*)	E5SM-3301-23-LB-XX-(*) E5SM-3301-33-LB-XX-(*) E5SM-3301-44-LB-XX-(*)	E5SM-3301-22-LA-XX-(*)	
E5SM-3201-22-H2-XX-(*) E5SM-3201-33-H2-XX-(*) E5SM-3201-34-H2-XX-(*) E5SM-3201-44-H2-XX-(*) E5SM-3201-64-H2-XX-(*) E5SM-3201-84-H2-XX-(*)	120 (8.3) 60 (4.1) 30 (2.1)	E5SM-3201-23-H2-LB-XX-(*) E5SM-3201-33-H2-LB-XX-(*) E5SM-3201-44-H2-LB-XX-(*)	E5SM-3201-22-H2-LA-XX-(*)	E5SM-3301-23-H2-LB-XX-(*) E5SM-3301-33-H2-LB-XX-(*) E5SM-3301-44-H2-LB-XX-(*)	E5SM-3301-22-H2-LA-XX-(*)	
E5SM-3202-22-H2-XX-(*) E5SM-3202-33-H2-XX-(*) E5SM-3202-44-H2-XX-(*) E5SM-3202-64-H2-XX-(*)						
E5SM-7202-22-H2-XX-(*) E5SM-7202-33-H2-XX-(*) E5SM-7202-44-H2-XX-(*) E5SM-7202-64-H2-XX-(*)						
E5SM-8202-22-H2-XX-(*) E5SM-8202-33-H2-XX-(*) E5SM-8202-44-H2-XX-(*)						



**1/8" Body
1/2" NPT Conduit
Connector
(-XX Type)**



**1/4" Body
1/2" NPT Conduit
Connector
(-XN Type)**

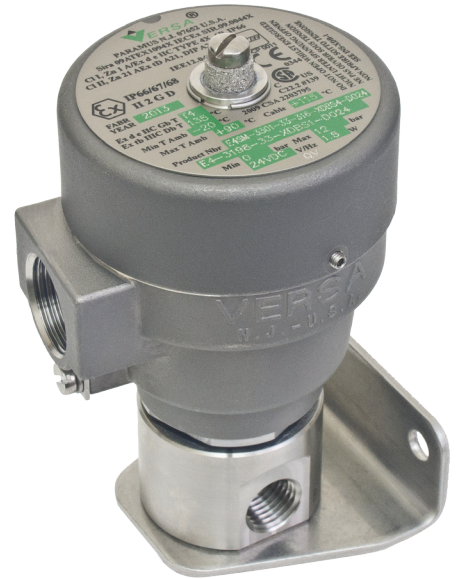
Orifice & Cv Data			
Orifice	Cv	Orifice	Cv
1/32"	0.022	1/8"	0.26
3/64"	0.06	5/32"	0.45
1/16"	0.106	3/16"	0.56
3/32"	0.21	1/4"	0.79

SERIES E4 COMPACT

XDB World Solenoid Valve

A compact, heavy duty solenoid valve with integral junction box for hazardous location service. Valve and junction box are stainless steel for superior corrosion resistance. Worldwide certifications available. Valves available in 2-Way, 3-Way, selectors or diverters functions. All products are rated for air, gas, oil or water. Porting available in 1/8" or 1/4" NPT for tubing convenience.

- Pressure: to 400 psi (see selector table)
- Flow: to 0.26 Cv (see selector table)
- Temperature: +5°F to 194°F (-15°C to 90°C)
-40°F to 194°F (-40°C to 90°C)(low temp option -44)
- Ports, Inlet & Outlet: 1/8" or 1/4" NPT
- Exhaust/vent: Vent to atmosphere, #10-32 thread (NPT port or dust protectors available)
- Voltages: AC or DC (see selector table)
- Coil rating: Class H, continuous duty
- Power: 1.8 or 0.85 watt
- Connections: 1/2" NPT or M20 conduit hub
- Ingress protection: IP 66/67/68 NEMA 4X, 6P
- Materials of construction:
 - Body: 430 Stainless (316 Stainless Steel optional)
 - Housing: FKM-fluorocarbon (Low Temp Nitrile optional)
 - Coil: Epoxy molded
 - Mounting: (2) threaded holes (optional bracket -WMA)



Shown with Dust Nut and Mounting Bracket



	-XDBS M20 x 1,5	XDBT 1/2" NPT
CSA North American	NA	Class I, Group B, C, D Class II, Group E, F, G Class III
ATEX	II 2 GD Ex d e IIC T4 Gb Ex tb IIIC IP66 T4C Db	II 2 GD Ex d e IIC T4 Gb Ex tb IIIC IP66 T4C Db
IECEX	Ex d e IIC T4 Gb Ex tb IIIC IP66 T4C Db	Ex d e IIC T4 Gb Ex tb IIIC IP66 T4C Db
INMETRO	Ex d e IIC T4 Gb Ex tb IIIC IP66 T4C Db	Ex d e IIC T4 Gb Ex tb IIIC IP66 T4C Db
Russia, Kazakhstan and Belarus	Ex d e IIC T4 Gb Ex tb IIIC IP66 T4 Db	Ex d e IIC T4 Gb Ex tb IIIC IP66 T4 Db

Stainless steel coil housing with internal Junction Box. Internal and external ground screw.	Suffix Detail Ordering Code			
	M 20 Connection		1/2" Connection	
	No Diode	Diode	No Diode	Diode
Standard (vent to atmosphere)	XDBS1	XDBS5	XDBT1	XDBT5
1/8" Adapter (-H2E)	XDBS2	XDBS6	XDBT2	XDBT6
1/4" Adapter (-HE)	XDBS3	XDBS7	XDBT3	XDBT7
Dust Nut (-L14)	XDBS4	XDBS8	XDBT4	XDBT8

Suffix Details above are for 1.8 watt coils. For 0.85 watt coil add a "C" as last character to above. Example: XDBS1C See tables opposite page

Options - Suffix Details



1.8 Watt Product Selector	Maximum Differential/ Operating Pressure psi (bar)	Orifice/Flow				Product Number For Pneumatic and Hydraulic Service	
		"A" to "B"		"B" to "C"		1/8" NPT	1/4" NPT
		In (mm)	Cv	In (mm)	Cv		
TYPE Media							
TWO-WAY 2/2 NORMALLY CLOSED	400 (27.6) 300 (20.7) 200 (13.8) 100 (6.9) 50 (3.4)	1/32" (0.8 mm) 3/64" (1.2 mm) 1/16" (1.6 mm) 3/32" (2.4 mm) 1/8" (3.2 mm)	0.022 0.06 0.106 0.21 0.26			E4SM-2201-20-XDB**-voltage E4SM-2201-30-XDB**-voltage E4SM-2201-40-XDB**-voltage E4SM-2201-60-XDB**-voltage E4SM-2201-80-XDB**-voltage	E4SM-2301-20-XDB**-voltage E4SM-2301-30-XDB**-voltage E4SM-2301-40-XDB**-voltage E4SM-2301-60-XDB**-voltage E4SM-2301-80-XDB**-voltage
TWO-WAY 2/2 NORMALLY OPEN	300 (20.7) 150 (10.3) 100 (6.9) 50 (3.4)			1/32" (0.8 mm) 3/64" (1.2 mm) 1/16" (1.6 mm) 3/32" (2.4 mm)	0.022 0.06 0.106 0.21	E4SM-2202-02-XDB**-voltage E4SM-2202-03-XDB**-voltage E4SM-2202-04-XDB**-voltage E4SM-2202-06-XDB**-voltage	E4SM-2302-02-XDB**-voltage E4SM-2302-03-XDB**-voltage E4SM-2302-04-XDB**-voltage E4SM-2302-06-XDB**-voltage
THREE-WAY 3/2 NORMALLY CLOSED (Exhaust to atm)	200 (13.8) 175 (12.1) 125 (8.6) 75 (5.2)	1/32" (0.8 mm) 3/64" (1.2 mm) 1/16" (1.6 mm) 3/32" (2.4 mm)	0.022 0.06 0.106 0.21	3/64" (1.2 mm) 1/16" (1.6 mm) 1/16" (1.6 mm) 1/16" (1.6 mm)	0.06 0.106 0.106 0.106	E4SM-3201-23-XDB**-voltage E4SM-3201-34-XDB**-voltage E4SM-3201-44-XDB**-voltage E4SM-3201-64-XDB**-voltage	E4SM-3301-23-XDB**-voltage E4SM-3301-34-XDB**-voltage E4SM-3301-44-XDB**-voltage E4SM-3301-64-XDB**-voltage
THREE-WAY 3/2 NORMALLY CLOSED (Piped exhaust)	200 (13.8) 175 (12.1) 125 (8.6) 75 (5.2)	1/32" (0.8 mm) 3/64" (1.2 mm) 1/16" (1.6 mm) 3/32" (2.4 mm)	0.022 0.06 0.106 0.21	3/64" (1.2 mm) 1/16" (1.6 mm) 1/16" (1.6 mm) 1/16" (1.6 mm)	0.06 0.106 0.106 0.106	E4SM-3201-23-XDB**-voltage E4SM-3201-34-XDB**-voltage E4SM-3201-44-XDB**-voltage E4SM-3201-64-XDB**-voltage	E4SM-3301-23-XDB**-voltage E4SM-3301-34-XDB**-voltage E4SM-3301-44-XDB**-voltage E4SM-3301-64-XDB**-voltage
THREE-WAY 3/2 NORMALLY OPEN	150 (10.3) 100 (6.9) 75 (5.2) 50 (3.4)	1/32" (0.8 mm) 3/64" (1.2 mm) 1/16" (1.6 mm) 3/32" (2.4 mm)	.022 0.06 0.106 0.21	1/32" (0.8 mm) 3/64" (1.2 mm) 1/16" (1.6 mm) 1/16" (1.6 mm)	.022 0.06 0.106 0.106	E4SM-3202-22-XDB**-voltage E4SM-3202-33-XDB**-voltage E4SM-3202-44-XDB**-voltage E4SM-3202-64-XDB**-voltage	E4SM-3302-22-XDB**-voltage E4SM-3302-33-XDB**-voltage E4SM-3302-44-XDB**-voltage E4SM-3302-64-XDB**-voltage
THREE-WAY 3/2 DIRECTIONAL CONTROL	250 (17.2) 200 (13.8) 150 (10.3) 120 (8.3)	1/32" (0.8 mm) 3/64" (1.2 mm) 1/16" (1.6 mm) 3/32" (2.4 mm)	.022 0.06 0.106 0.21	1/32" (0.8 mm) 3/64" (1.2 mm) 1/16" (1.6 mm) 1/16" (1.6 mm)	0.022 0.06 0.106 0.106	E4SM-7202-22-XDB**-voltage E4SM-7202-33-XDB**-voltage E4SM-7202-44-XDB**-voltage E4SM-7202-64-XDB**-voltage	E4SM-7302-22-XDB**-voltage E4SM-7302-33-XDB**-voltage E4SM-7302-44-XDB**-voltage E4SM-7302-64-XDB**-voltage
THREE-WAY 3/2 MULTI-PURPOSE	150 (10.3) 75 (5.2) 60 (4.1) 30 (2.1)	1/32" (0.8 mm) 3/64" (1.2 mm) 1/16" (1.6 mm) 3/32" (2.4 mm)	.022 0.06 0.106 0.21	1/32" (0.8 mm) 3/64" (1.2 mm) 1/16" (1.6 mm) 1/16" (1.6 mm)	0.022 0.06 0.106 0.106	E4SM-8202-22-XDB**-voltage E4SM-8202-33-XDB**-voltage E4SM-8202-44-XDB**-voltage E4SM-8202-64-XDB**-voltage	E4SM-8302-22-XDB**-voltage E4SM-8302-33-XDB**-voltage E4SM-8302-44-XDB**-voltage E4SM-8302-64-XDB**-voltage

Voltagess, AC 120/60 (-A120), 110/50 (-E110), 240/60 (-A240), 220/50 (-E220) DC 24 vdc (-D024), 48 vdc (-D048), 12 vdc (-D012), 110 vdc (-D110), 220 vdc (D220)

** Product Number. Complete product number by inserting one of the following in place of the **: S1 = M20 conduit connection, no diode, T1 = 1/2" npt conduit connection no diode, S5 = M20 conduit connection with diode, T5 = 1/2" npt conduit connection with diode.

0.85 Watt Product Selector	Maximum Differential/ Operating Pressure psi (bar)	Orifice/Flow				Product Number For Pneumatic and Hydraulic Service	
		"A" to "B"		"B" to "C"		1/8" NPT	1/4" NPT
		In (mm)	Cv	In (mm)	Cv		
TYPE Media							
TWO-WAY 2/2 NORMALLY CLOSED	250 (17.2) 150 (10.3) 80 (5.5)	1/32" (0.8 mm) 3/64" (1.2 mm) 1/16" (1.6 mm)	0.022 0.06 0.106			E4SM-2201-20-XDB***-voltage E4SM-2201-30-XDB***-voltage E4SM-2201-40-XDB***-voltage	E4SM-2301-20-XDB***-voltage E4SM-2301-30-XDB***-voltage E4SM-2301-40-XDB***-voltage
TWO-WAY 2/2 NORMALLY OPEN	175 (12.1) 100 (6.9)			1/32" (0.8 mm) 3/64" (1.2 mm)	0.022 0.06	E4SM-2302-02-XDB***-voltage E4SM-2302-03-XDB***-voltage	E4SM-2302-02-XDB***-voltage E4SM-2302-03-XDB***-voltage
THREE-WAY 3/2 NORMALLY CLOSED (Exhaust to atm)	150 (10.3) 125 (8.6) 100 (6.9) 75 (5.2) 40 (2.8) 25 (1.7)	1/32" (0.8 mm) 3/64" (1.2 mm) 3/64" (1.2 mm) 1/16" (1.6 mm) 3/32" (2.4 mm) 3/32" (2.4 mm)	0.022 0.06 0.06 0.106 0.21 0.21	3/64" (1.2 mm) 3/64" (1.2 mm) 1/16" (1.6 mm) 1/16" (1.6 mm) 1/16" (1.6 mm) 3/32" (2.4 mm)	0.06 0.06 0.106 0.106 0.106 0.21	E4SM-3201-23-XDB***-voltage E4SM-3201-33-XDB***-voltage E4SM-3201-34-XDB***-voltage E4SM-3201-44-XDB***-voltage E4SM-3201-64-XDB***-voltage E4SM-3201-66-XDB***-voltage	E4SM-3301-23-XDB***-voltage E4SM-3301-33-XDB***-voltage E4SM-3301-34-XDB***-voltage E4SM-3301-44-XDB***-voltage E4SM-3301-64-XDB***-voltage E4SM-3301-66-XDB***-voltage
THREE-WAY 3/2 NORMALLY CLOSED (Piped exhaust)	150 (10.3) 125 (8.6) 100 (6.9) 75 (5.2) 40 (2.8) 25 (1.7)	1/32" (0.8 mm) 3/64" (1.2 mm) 3/64" (1.2 mm) 1/16" (1.6 mm) 3/32" (2.4 mm) 3/32" (2.4 mm)	0.022 0.06 0.06 0.106 0.21 0.21	3/64" (1.2 mm) 3/64" (1.2 mm) 1/16" (1.6 mm) 1/16" (1.6 mm) 1/16" (1.6 mm) 3/32" (2.4 mm)	0.06 0.06 0.106 0.106 0.106 0.21	E4SM-3201-23-XDB***-voltage E4SM-3201-33-XDB***-voltage E4SM-3201-34-XDB***-voltage E4SM-3201-44-XDB***-voltage E4SM-3201-64-XDB***-voltage E4SM-3201-66-XDB***-voltage	E4SM-3301-23-XDB***-voltage E4SM-3301-33-XDB***-voltage E4SM-3301-34-XDB***-voltage E4SM-3301-44-XDB***-voltage E4SM-3301-64-XDB***-voltage E4SM-3301-66-XDB***-voltage
THREE-WAY 3/2 NORMALLY OPEN	125 (8.6) 100 (6.9) 60 (4.1)	1/32" (0.8 mm) 3/64" (1.2 mm) 1/16" (1.6 mm)	0.022 0.06 0.106	1/32" (0.8 mm) 3/64" (1.2 mm) 1/16" (1.6 mm)	0.022 0.06 0.106	E4SM-3202-22-XDB***-voltage E4SM-3202-33-XDB***-voltage E4SM-3202-44-XDB***-voltage	E4SM-3302-22-XDB***-voltage E4SM-3302-33-XDB***-voltage E4SM-3302-44-XDB***-voltage
THREE-WAY 3/2 DIRECTIONAL CONTROL	110 (7.6) 100 (6.9) 80 (5.5)	1/32" (0.8 mm) 3/64" (1.2 mm) 1/16" (1.6 mm)	0.022 0.06 0.106	1/32" (0.8 mm) 3/64" (1.2 mm) 1/16" (1.6 mm)	0.22 0.06 0.106	E4SM-7202-22-XDB***-voltage E4SM-7202-33-XDB***-voltage E4SM-7202-44-XDB***-voltage	E4SM-7302-22-XDB***-voltage E4SM-7302-33-XDB***-voltage E4SM-7302-44-XDB***-voltage
THREE-WAY 3/2 MULTI-PURPOSE	125 (8.6) 100 (6.9) 40 (2.8)	1/32" (0.8 mm) 3/64" (1.2 mm) 1/16" (1.6 mm)	0.022 0.06 0.106	1/32" (0.8 mm) 3/64" (1.2 mm) 1/16" (1.6 mm)	0.022 0.06 0.106	E4SM-8202-22-XDB***-voltage E4SM-8202-33-XDB***-voltage E4SM-8202-44-XDB***-voltage	E4SM-8302-22-XDB***-voltage E4SM-8302-33-XDB***-voltage E4SM-8302-44-XDB***-voltage

Voltagess 24 vdc (-D024), 48 vdc (-D048), 12 vdc (-D012)

*** Product Number. Complete product number by inserting one of the following in place of the ***: S1C = M20 conduit connection, no diode, T1C = 1/2" npt conduit connection no diode, S5C = M20 conduit connection with diode, T5C = 1/2" npt conduit connection with diode.

SERIES E FULL SIZE

Side Ported Types

Series E Full-Size Side-Ported valves are direct solenoid actuated and are individually mounted. 1/8 NPT or 1/4 NPT ports are provided in the valve body.

Function	2-Way NC, 2-way NO, 3-way NC, 3-Way NO, Directional & Multi-Purpose.
Media	Air / Gas / Hydraulic
Pressure:	to 250 psi (see table page 19)
Flow:	to 0.26 Cv (see table below)
Temperature:	0°F to 180°F (-18°C to 82°C)
Ports, Inlet & Outlet:	1/8" or 1/4" NPT
Exhaust/vent:	Vent to atmosphere, #10-32 thread (NPT port or dust protectors available)
Voltages:	AC or DC (see page 7 or 8)
Coil rating:	Class F, continuous duty
Power:	7.3 - 12 watt
Connections:	1/2" NPT
Ingress protection:	NEMA 1, 2,3 & 4/4X, Ordinary Location NEMA 1, 2,3 & 4/4X, Hazardous Location NEMA 7, 9 & 4/4X
Materials of construction:	
Body:	430 Stainless (316 Stainless Steel optional)
Seals	NBR (Nitrile)
Coil:	Epoxy molded
Mounting:	(2) threaded holes (optional bracket -WE)

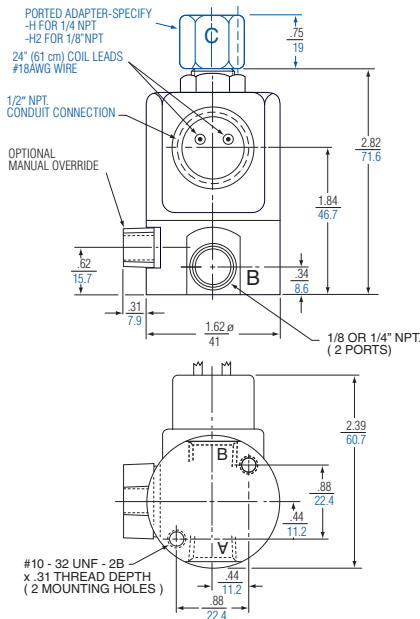


HAZARDOUS LOCATIONS

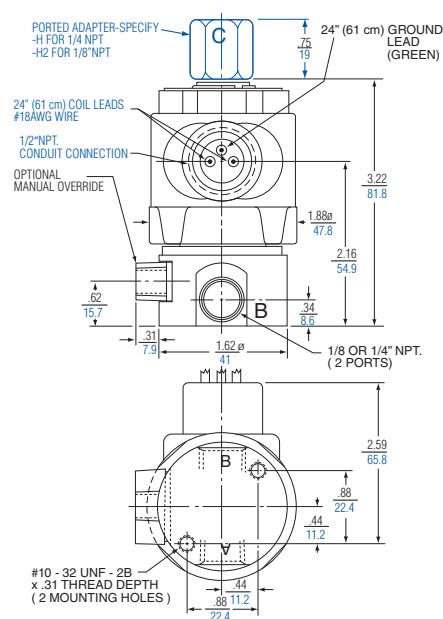


ORDINARY LOCATIONS

ORDINARY LOCATIONS (NEMA 1,2,3)



HAZARDOUS LOCATIONS (NEMA 7&9)

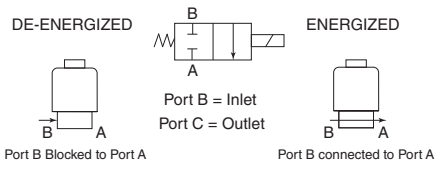
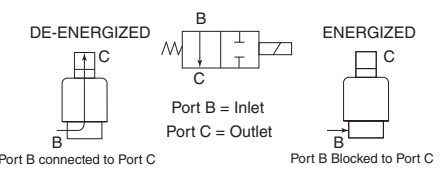
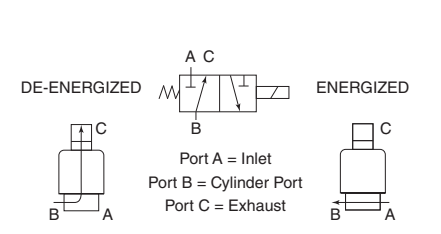
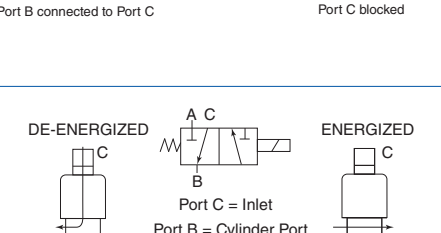
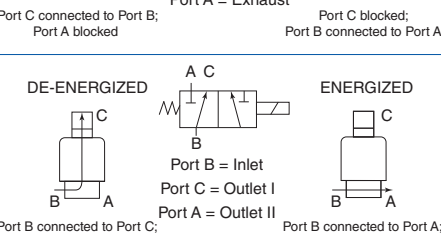
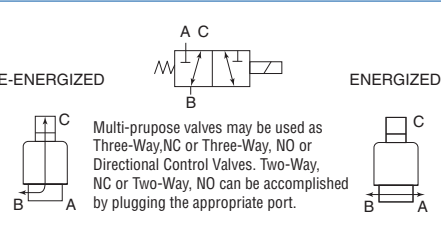



Orifice & Cv Data	
Orifice	Cv
1/32"	0.022
3/64"	0.06
1/16"	0.106
3/32"	0.21
1/8"	0.26
5/32"	0.45
3/16"	0.56
1/4"	0.79

DIMENSIONS SHOWN IN INCH
MM

Color shows piped port C or normally open valve; metric dimensions.

Coil cover shown is supplied as standard and provides housing with threaded boss for conduit connection. Other housing types are available. See Suffix Detail Options on page 4.

Type	Maximum Operating Pressure Differential ¹ psi (bar)	ORDINARY LOCATIONS (For Coil Voltages See Page 8)		Min. Orifice between Ports		Piping Arrangement and Flow Pattern
		Product Number with conduit type coil housing. For other housing options see page 8.		"A" - "B"	"B" - "C"	
		1/8" NPT	1/4" NPT			
TWO-WAY 2/2 NORMALLY CLOSED Air, Oil or Water	250 (17) 200 (14) 125 (8.6) 100 (6.9) 75-50 (5.2-3.4) 50-25 (3.4-1.7) 20-5 (1.4-0.3)	ESM-2201-30-(*) ESM-2201-40-(*) ESM-2201-60-(*) ESM-2201-80-(*) ESM-2201-100-(*) ESM-2201-120-(*) ESM-2201-160-(*)	ESM-2301-30-(*) ESM-2301-40-(*) ESM-2301-60-(*) ESM-2301-80-(*) ESM-2301-100-(*) ESM-2301-120-(*) ESM-2301-160-(*)	3/64" (1.2mm) 1/16" (1.6 mm) 3/32" (2.4 mm) 1/8" (3.2mm) 5/32" (4.0 mm) 3/16" (4.8 mm) 1/4" (6.4 mm)		
TWO-WAY 2/2 NORMALLY OPEN Air, Oil or Water	200 (14) 150 (10) 125 (8.6)	ESM-2202-03-H2-(*) ESM-2202-04-H2-(*) ESM-2202-06-H2-(*)	ESM-2302-03-H-(*) ESM-2302-04-H-(*) ESM-2302-06-H-(*)		3/64" (1.2 mm) 1/16" (1.6 mm) 3/32" (2.4 mm)	
THREE-WAY 3/2 NORMALLY CLOSED (EXHAUST TO ATMOSPHERE) Air Only	150 (10) 100 (6.9) 75 (5.2) 50 (3.4) 20 (1.4) Vac-AC Only	ESM-3201-34-(*) ESM-3201-44-(*) ESM-3201-66-(*) ESM-3201-86-(*) ESM-3201-126-(*) ESM-3201-160-(*)	ESM-3301-34-(*) ESM-3301-44-(*) ESM-3301-66-(*) ESM-3301-86-(*) ESM-3301-126-(*) ESM-3301-166-(*)	3/64" (1.2 mm) 1/15" (1.6 mm) 3/32" (2.4 mm) 1/8" (3.2 mm) 3/16" (4.8 mm) 1/4" (6.4 mm)	1/16" (1.6 mm) 1/16" (1.6 mm) 3/32" (2.4 mm) 3/32" (2.4 mm) 3/32" (2.4 mm) 3/32" (2.4 mm)	
THREE-WAY 3/2 NORMALLY CLOSED (PIPED EXHAUST) Air, Oil or Water	150 (10) 100 (6.9) 75 (5.2) 50 (3.4) 20 (1.4) Vacuum-AC Only	ESM-3201-34-H2-(*) ESM-3201-44-H2-(*) ESM-3201-66-H2-(*) ESM-3201-86-H2-(*) ESM-3201-126-H2-(*) ESM-3201-166-H2-(*)	ESM-3301-34-H-(*) ESM-3301-44-H-(*) ESM-3301-66-H-(*) ESM-3301-86-H-(*) ESM-3301-126-H-(*) ESM-3301-166-H-(*)	3/64" (1.2 mm) 1/16" (1.6 mm) 3/32" (2.4 mm) 1/8" (3.2 mm) 3/16" (4.8 mm) 1/4" (6.4 mm)	1/16" (1.6 mm) 1/16" (1.6 mm) 3/32" (2.4 mm) 3/32" (2.4 mm) 3/32" (2.4 mm) 3/32" (2.4 mm)	
THREE-WAY 3/2 NORMALLY OPEN Air, Oil or Water	150 (10) 100 (6.9) 100 (6.9) 75 (5.2) 75 (5.2)	ESM-3202-43-H2-(*) ESM-3202-44-H2-(*) ESM-3202-84-H2-(*) ESM-3202-66-112-(*) ESM-3202-86-H2-(*)	ESM-3302-43-H-(*) ESM-3302-44-H-(*) ESM-3302-84-H-(*) ESM-3302-66-H-(*) ESM-3302-86-H-(*)	1/16" (1.6 mm) 1/16" (1.6 mm) 1/8" (3.2 mm) 3/32" (2.4 mm) 1/8" (3.2 mm)	3/64" (1.2 mm) 1/16" (1.6 mm) 1/16" (1.6 mm) 3/32" (2.4 mm) 3/32" (2.4 mm)	
THREE-WAY 3/2 DIRECTIONAL CONTROL Air, Oil or Water	200 (14) 150 (10) 125 (8.6) 100 (6.9)	ESM-7202-43-H2-(*) ESM-7202-44-H2-(*) ESM-7202-56-H2-(*) ESM-7202-86-H2-(*)	ESM-7302-43-H-(*) ESM-7302-44-H-(*) ESM-7302-66-H-(*) ESM-7302-86-H-(*)	1/16" (1.6 mm) 1/16" (1.6 mm) 3/32" (2.4 mm) 1/8" (3.2 mm)	3/64" (1.2 mm) 1/16" (1.6 mm) 3/32" (2.4 mm) 3/32" (2.4 mm)	
THREE-WAY 3/2 MULTI-PURPOSE Air, Oil or Water	150 (10) 100 (6.9) 75 (5.2)	ESM-8202-33-H2-(*) ESM-8202-44-H2-(*) ESM-8202-66-H2-(*)	ESM-8302-33-H-(*) ESM-8302-44-H-(*) ESM-8302-66-H-(*)	3/64" (1.2 mm) 1/16" (1.6 mm) 3/32" (2.4 mm)	3/64" (1.2 mm) 1/16" (1.6 mm) 3/32" (2.4 mm)	

Add Suffix -XX To Above Product Numbers
(See pages 4, 6 & 9 for other Hazardous Location Solenoids)

NOTES:

*Specify Voltage Code # from page 5..

1. Pressures are for both AC or DC coil unless two pressures are shown. In that case, the pressure in color is for DC. Vacuum is AC only.

2. MPa = $\frac{\text{bar}}{10}$

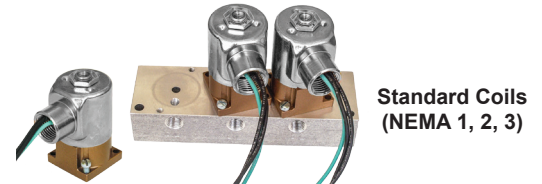
SERIES E FULL SIZE

Manifold-Mounting Types

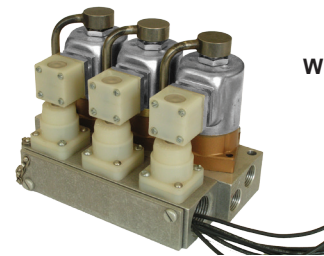
Each Series E Full-Size Manifold Mounting valve is direct solenoid actuated and is mounted on a manifold which can have 1 to 10 valve stations. The manifolds are provided with the threaded ports for pipe connections, which allows the valves to be easily and swiftly installed or removed without breaking any pipe connections. The manifolds also provide common ports, such as the inlet and exhaust, making only one such connection necessary per manifold. Installation is neater and maintenance easier since valves are grouped in one location. Several different piping arrangements are available to provide flexibility of application.

Valves are supplied assembled to manifolds, but must be ordered separately. Station Blanks (E-189) are available for blocking off any unused or "future" valve stations on the manifold. To order complete unit, specify manifold desired and quantity and valve model number required. Valves must all be same model.

Function	2-Way NC, 2-way NO, 3-way NC, 3-Way NO, Directional & Multi-Purpose.
Media	Air / Gas / Hydraulic
Pressure:	to 250 psi (see table page 19)
Flow:	to 0.26 Cv (see table below)
Temperature:	0°F to 180°F (-18°C to 82°C)
Ports, Inlet & Outlet:	1/8" or 1/4" NPT
Exhaust/vent:	Vent to atmosphere, #10-32 thread (NPT port or dust protectors available)
Voltages:	AC or DC (see page 7 or 8)
Coil rating:	Class F, continuous duty
Power:	7.3 - 12 watt
Connections:	1/2" NPT
Ingress protection:	NEMA 1, 2,3 & 4/4X,
Ordinary Location	NEMA 1, 2,3 & 4/4X,
Hazardous Location	NEMA 7, 9 & 4/4X
Materials of construction:	
Body:	430 Stainless (316 Stainless Steel optional)
Seals	NBR (Nitrile)
Coil:	Epoxy molded
Mounting:	(2) threaded holes (optional bracket -WE)



**Standard Coils
(NEMA 1, 2, 3)**

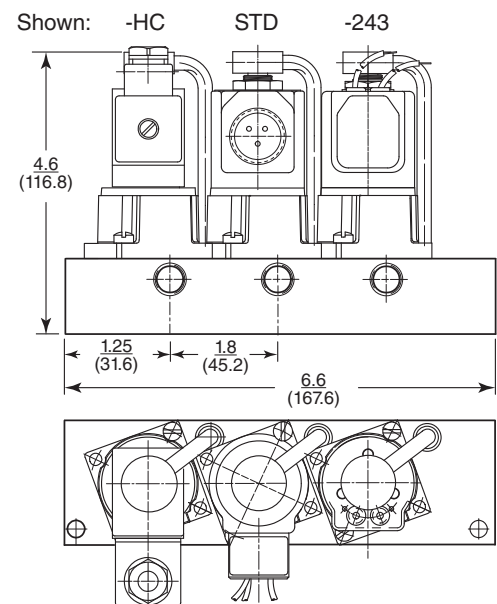
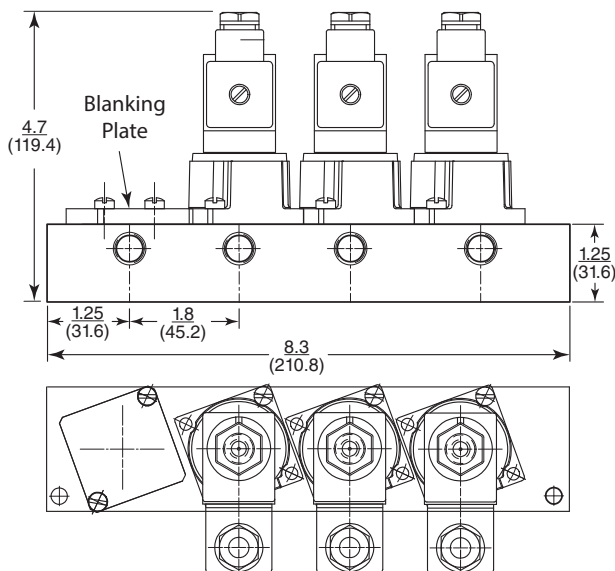


**WITH ELECTRICAL
PLUG-IN
(NEMA 1, 2, 3)**



**Example of coil
types on manifold
mounted valves.
Also available on
side ported**

MANIFOLD FEATURES: Piped Exhaust; Common inlet for all valves; Individual outlets (cylinder ports) for each valve; Common exhaust port for all valves.



DIMENSIONS SHOWN IN INCH (MM)

		ORDINARY LOCATIONS (For Coil Voltages See Page 8)				
Type	Maximum Operating Pressure Differential (Note 1) psi (bar) (Note 2)	Product Number				
		Valve		Manifold		
		Listed with conduit type coil housing. (Note 3)	Min. Orifice between Valve Ports	One Inlet (3/8 NPT) serves All Valves: Individual Outlets (1/4 NPT) (Notes 3 & 4)	Individual Inlet (1/4 NPT) and Outlet (1/4 NPT) for Each Valve (Notes 3 & 4)	Individual Inlet (1/4 NPT) for Each Valve; One Outlet (3/8 NPT) Serves All (Notes 3 & 4)
TWO-WAY 2/2 NORMALLY CLOSED Air, Oil or Water	250 (17) 200 (14) 125 (8.6) 100 (6.9) 75-50 (5.2-3.4) 50-25 (3.4-1.7) 20-5 (1.4- 0.3)	ESM-2011-30-(*) ESM-2011-40-(*) ESM-2011-60-(*) ESM-2011-80-(*) ESM-2011-100-(*) ESM-2011-120-(*) ESM-2011-160-(*)	3/64" (1.2 mm) 1/16" (1.6 mm) 3/32" (2.4 mm) 1/8" (3.2 mm) 5/32" (4.0mm) 3/16" (4.8 mm) 1/4" (6.4 mm)		EM-21-210-†	EM-21-220-† EM-21-120-†
TWO-WAY 2/2 NORMALLY OPEN Air, Oil or Water	200 (14) 150 (10) 125 (8.6)	ESM-2012-03-Z-(*) ESM-2012-04-Z-(*) ESM-2012-06-Z-(*)	3/64" (1.2 mm) 1/16" (1.6 mm) 3/32" (2.4 mm)		EM-22-012-†	EM-22-022-† —
THREE-WAY 3/2 NORMALLY CLOSED (EXHAUST TO ATMOSPHERE) Air Only	150 (10) 100 (6.9) 75 (5.2) 50 (3.4) 20 (1.4) Vacuum-AC Only	ESM-3011-34-(*) ESM-3011-44-(*) ESM-3011-66-(*) ESM-3011-86-(*) ESM-3011-126-(*) ESM-3011-166-(*)	"In" "Cyl"	"Cyl" "Exh"	EM-31-120-†	EM-31-220-† EM-31-210-†
			3/64" (1.2 mm) 1/16" (1.6 mm) 3/32" (2.4 mm) 1/8" (3.2 mm) 3/16" (4.8 mm) 1/4" (6.4 mm)	1/16" (1.6 mm) 1/16" (1.6 mm) 3/32" (2.4 mm) 3/32" (2.4 mm) 3/32" (2.4 mm) 3/32" (2.4 mm)		
THREE-WAY 3/2 NORMALLY CLOSED (COMMON PIPED EXHAUST) Air, Oil or Water	150 (10) 100 (6.9) 75 (5.2) 50 (3.4) 20 (1.4) Vacuum-AC Only	ESM-3011-34-Z-(*) ESM-3011-44-Z-(*) ESM-3011-65-Z-(*) ESM-3011-86-Z-(*) ESM-3011-126-Z-(*) ESM-3011-166-Z-(*)	3/64" (1.2 mm) 1/16" (1.6 mm) 3/32" (2.4 mm) 1/8" (3.2 mm) 3/16" (4.8 mm) 1/4" (6.4 mm)	1/16" (1.6 mm) 1/16" (1.6 mm) 3/32" (2.4 mm) 3/32" (2.4 mm) 3/32" (2.4 mm) 3/32" (2.4 mm)	EM-31-121-†	EM-31-221-†
THREE-WAY 3/2 NORMALLY OPEN (COMMON PIPED EXHAUST) Air, Oil or Water	150 (10) 100 (6.9) 100 (6.9) 75 (5.2) 75 (5.2)	ESM-3012-43-Z-(*) ESM-3012-44-Z-(*) ESM-3012-84-Z-(*) ESM-3012-66-Z-(*) ESM-3012-86-Z-(*)	3/64" (1.2 mm) 1/16" (1.6 mm) 1/16" (1.6 mm) 3/32" (2.4 mm) 3/32" (2.4 mm)	1/16" (1.6 mm) 1/16" (1.6 mm) 1/8" (3.2 mm) 3/32" (2.4 mm) 1/8" (3.2 mm)	EM-32-121-†	† Insert Number of Valve Stations Required. Manifolds Are Supplied In 1 To 10 Stations.
THREE-WAY 3/2 DIRECTIONAL CONTROL Air, Oil or Water	200 (14) 150 (10) 125 (8.6) 100 (6.9)	ESM-7012-43-Z-(*) ESM-7012-44-Z-(*) ESM-7012-66-Z-(*) ESM-7012-86-Z-(*)	"In" "Out 1"	"In" "Out 2"	EM-72-212-†	
			3/64" (1.2 mm) 1/16" (1.6 mm) 3/32" (2.4 mm) 3/32" (2.4 mm)	1/16" (1.6 mm) 1/16" (1.6 mm) 3/32" (2.4 mm) 1/8" (3.2 mm)		
		Add Suffix -XX to Valve Product Numbers Shown Above	{ HAZARDOUS LOCATIONS }		Change Prefix "EM" to "E7M." Example E7M-72-212-†	

Orifice & Cv Data			
Orifice	Cv	Orifice	Cv
1/32"	0.022	1/8"	0.26
3/64"	0.06	5/32"	0.45
1/16"	0.106	3/16"	0.56
3/32"	0.21	1/4"	0.79

NOTES:

*Specify Voltage Code # from page 5.

1. Pressures are for both AC or DC coil unless two pressures are shown. In that case, the pressure in color is for DC. Vacuum is AC only.

2. MPa = $\frac{\text{bar}}{10}$

3. To specify electrical plug-in option add -P to product number shown. Indicator lights mounted in junction box can also be provided when using plug-in valves. Use Suffix -36B for this option. Limitation: 90-250VDC, 70-250VAC/ 50 or 60 Hz, Plug-in option not available with solenoids for hazardous location.

4. All ports of single station manifolds are 1/4 NPT.

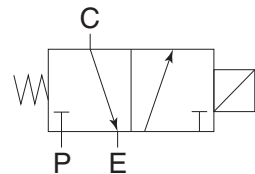
SERIES E3 *Inline Valve*

An inline, compact, heavy duty solenoid valve designed for the most extreme environments. Valve and coil housing are stainless steel for superior corrosion resistance and factory sealed. Rated for hazardous location service. Worldwide certifications available. 1/4" NPT 3-Way Valves for air, gas, oil or water. Male inline conduit hub for ease of installation. Super low watt option available for applications where power is a premium.

Part Number	CSA		ATEX	
	Standard Wattage	Super Low Wattage	Standard Wattage	Super Low Wattage
	E3SM-3301-46-316-XPS-*	E3SM-3301-36-316-LC-XPS-*	E3SM-3301-46-316-XPN-*	E3SM-3301-36-316-LC-XPN-*
Media	Air / Gas / Hydraulic			
Pressure	0-150 psi (0-10.3 bar)	0 – 115 psi (0-7.9 bar)	0-150 psi (0-10.3 bar)	0 – 115 psi (0-7.9 bar)
Flow-Inlet, Cv/orifice	0.11 / 0.063" (1.6 mm)	0.06 / 0.047" (1.2 mm)	0.11 / 0.063" (1.6 mm)	0.06 / 0.047" (1.2 mm)
Flow-Exhaust, Cv/orifice	0.16 / 0.094" (2.4 mm)	0.16 / 0.094" (2.4 mm)	0.16 / 0.094" (2.4 mm)	0.16 / 0.094" (2.4 mm)
Power	1.86 watts	0.85 watt	1.86 watts	0.85 watt
Voltage	12 or 24 DC ± 15%	24 DC ± 15%	12 or 24 DC ± 15%	24 DC ± 15%
Ingress protection:	NEMA 4X and 6P		IP 66/67	
Coil Rating	Class F, Continuous duty			
Electrical Connection:	1/2" npt, male hub with 72 inch wire leads, 3 wire. Not polarity dependent			
Ports	1/4" NPT Inlet, Outlet & Exhaust			
Temperature	-4 to 122 F (-20 to 49 C)			
Materials				
Body:	316 Stainless Steel			
Seals:	FKM-fluorocarbon			
Coil Housing:	316 Stainless Steel			
Coil:	Epoxy molded/encapsulated (Factory Sealed)			
Mounting:	Inline off conduit hub. Not orientation sensitive			



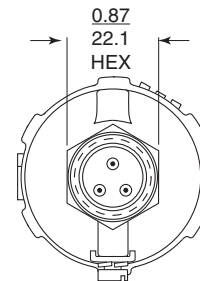
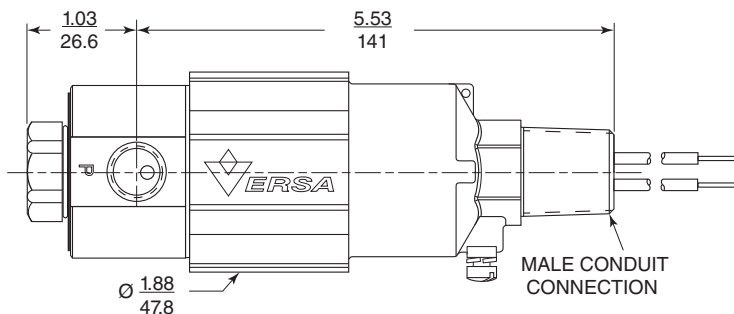
FLOW SCHEMATIC



Rating: Class I, Div 1, Group C and D
 Class II, Div 1, Group E, F and G, T6
 Class I, Div 2, Group C and D
 Class II, Div 2, Group E, F and G

II 2 G Ex d IIB T4...T6 Gb

Dimensions



Functional Description

The Electric Quick Exhaust Valve is a three-way, NC, 3/2 valve with extra large exhaust orifice in order to provide extra fast movement of the cylinder rod, or to exhaust systems rapidly. When the solenoid is energized, the outlet port is connected to the inlet port and the exhaust port is closed. When the solenoid is de-energized, the inlet port is closed and the outlet port is connected to the exhaust port, providing rapid evacuation of the system.

Construction

Body: 316 Stainless Steel. (Conforms to NACE standard MR-01-75)
 Solenoid Operator: 304, 430F & 302 Stainless Steel (wetted parts)
 Seals: FKM (Fluorocarbon) O ring seals;
 CR (Neoprene) coated nylon flapper.
 Screws: Stainless Steel

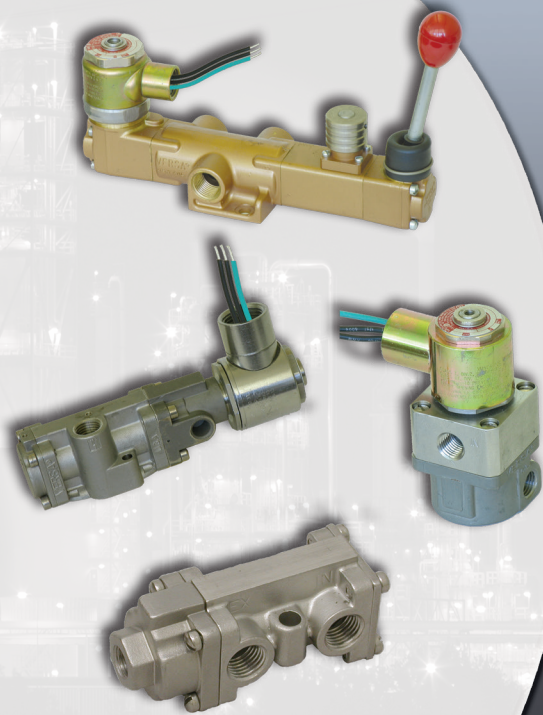


Function	Size				Pressure	E5QE			E4QE			EQE		
						General purpose, NEMA 1 (none) General purpose, NEMA 4/4X (-PC) UL/CSA, flying lead 1/2" conduit hub (-XX) ATEX, flying leads M20 conduit hub (-XN) FM/CSA, Intrinsic Safe, DIN (-XIS*)			CSA/ATEX, junction box (-XDB*1)			ATEX, (m) junction box (-XMA*) ATEX, (i) junction box (-XIF*)		
						Part Number	Flow		Part Number	Flow		Part Number	Flow	
Inlet	Exhaust	Inlet	Exhaust	Inlet	Exhaust									
3-Way 3/2 Normally Closed	Basic	Ports			5-150	E5QE-30304-316-*.**	0.06	3.3	E4QE-30304-316-*.**	0.06	3.3	EQE-50203-316-*.**	0.022	8.8
		Inlet	Outlet	Exhaust										
	1/4	1/4	3/8	E5QE-50304-316-*.**		0.06	8.8	E4QE-50304-316-*.**	0.06	8.8				
	1/2	1/4	1/2								3/4			

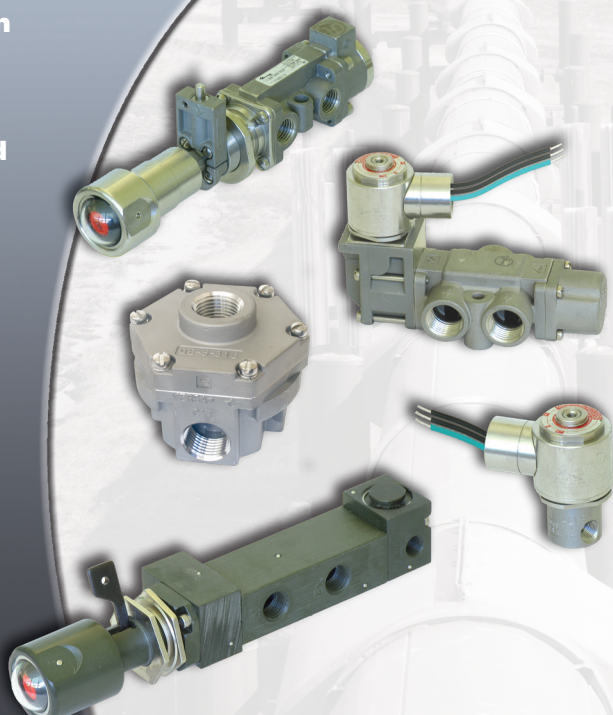
* Specify Suffix Options from chart below. **Specify Voltage.

SUFFIX CHART (for additional specifications Description contact factory)	Suffix		
	E5QE	E4QE	EQE
General Purpose	E5QE	E4QE	EQE
NEMA 1, 1/2" Conduit, 24" wire leads (standard no suffix required)	None		
NEMA 4, 4X 1/2" Conduit, 24" wire leads	-PC		
Hazardous Location			
UL/CSA Explosion Proof, 1/2" Conduit, 24" wire leads. Other available options: -LB Low watt -PC Potted Coil -ST Stainless housing	-XX		
ATEX/IEC Flame Proof (d), M20 Conduit, 24" wire leads. Other available options: -LB Low watt -PC Potted Coil -ST Stainless housing	-XN	NA	NA
FM/CSA Intrinsic Safe, Spade terminals. Other available options: -HC DIN Connector, Pg9 cord grip -HCC DIN Connector, 1/2" conduit Note: Part number changes to E5QE-30202-316 and E5QE-50202-316. Pressure is 5-115 psi (0.3-7.9 bar) and Inlet Flow is 0.02 Cv (.32 Kv)	-XISC (FM/CSA) -XISX6 (ATEX)		
ATEX/IECEx/CSA Flame Proof (d), Increased Safety(e), Enclosure/Dust (td) Class I, Div I, Grp B,C,D - Class I, Div II, Grp E,F,G- Class I, Div III, integral junction box		-XDBS1 (M20) -XDBT1 (1/2")	
ATEX/IECEx Encapsulated (mb), Increased Safety (e) Enclosure/Dust (td) integral junction box	NA		-XMAA (M20) -XMAF (1/2")
Intrinsic Safe (ia), integral junction box		NA	-XIFA (M20) -XIFF (1/2")

(For Pneumatic Application Only)



Versa has been supplying the fluid power industry with pneumatic and hydraulic components for over 50 years. We have built a reputation for quality that is unsurpassed in the market for high performance solenoids, pneumatic relays, resets and pilot valves.



WARNINGS REGARDING THE DESIGN APPLICATION, INSTALLATION AND SERVICE OF VERSA PRODUCTS

The warnings below must be read and reviewed before designing a system utilizing, installing, servicing, or removing a Versa product. Improper use, installation or servicing of a Versa product could create a hazard to personnel and property.

DESIGN APPLICATION WARNINGS

Versa products are intended for use where compressed air or industrial hydraulic fluids are present. For use with media other than specified or for non-industrial applications or other applications not within published specifications, consult Versa.

Versa products are not inherently dangerous. They are only a component of a larger system. The system in which a Versa product is used must include adequate safeguards to prevent injury or damage in the event of system or product failure, whether this failure be of switches, regulators, cylinders, valves or any other system component. System designers must provide adequate warnings for each system in which a Versa product is utilized. These warnings, including those set forth herein, should be provided by the designer to those who will come in contact with the system.

Where questions exist regarding the applicability of a Versa product to a given use, inquiries should be addressed directly to the manufacturer. Confirmation should be obtained directly from the manufacturer regarding any questioned application prior to proceeding.

INSTALLATION, OPERATION AND SERVICE WARNINGS

Do not install or service any Versa product on a system or machine without first depressurizing the system and turning off any air, fluid, or electricity to the system or machine. All applicable electrical, mechanical, and safety codes, as well as applicable governmental regulations and laws must be complied with when installing or servicing a Versa product.

Versa products should only be installed or serviced by qualified, knowledgeable personnel who understand how these specific products are to be installed and operated. The individual must be familiar with the particular specifications, including specifications for temperature, pressure, lubrication, environment and filtration for the Versa product which is being installed or serviced. Specifications may be obtained upon request directly from Versa. If damages should occur to a Versa product, do not Operate the system containing the Versa product. Consult Versa for technical information.

LIMITED WARRANTY DISCLAIMER AND LIMITATION OF REMEDIES

Versa's Series products are warranted to be free from defective material and workmanship for a period of ten years from the date of manufacture, provided said products are used in accordance with Versa specifications. Versa's liability pursuant to that warranty is limited to the replacement of the Versa product proved to be defective provided the allegedly defective product is returned to Versa or its authorized distributor. Versa provides no other warranties, expressed or implied, except as stated above. There are no implied warranties of merchantability or fitness for a particular purpose. Versa's liability for breach of warranty as herein stated is the only and exclusive remedy and in no event shall Versa be responsible or liable for incidental or consequential damages.

Versa Products Company Inc.
22 Spring Valley Road
Paramus, New Jersey 07652
USA
Phone: 201-843-2400
Fax: 201-843-2931

Versa BV
Prins Willem Alexanderlaan
1429
7321 GB Apeldoorn
The Netherlands
Phone: 01131-55-368-1900
Fax: 01131-55-368-1909



www.versa-valves.com
email: sales@versa-valves.com